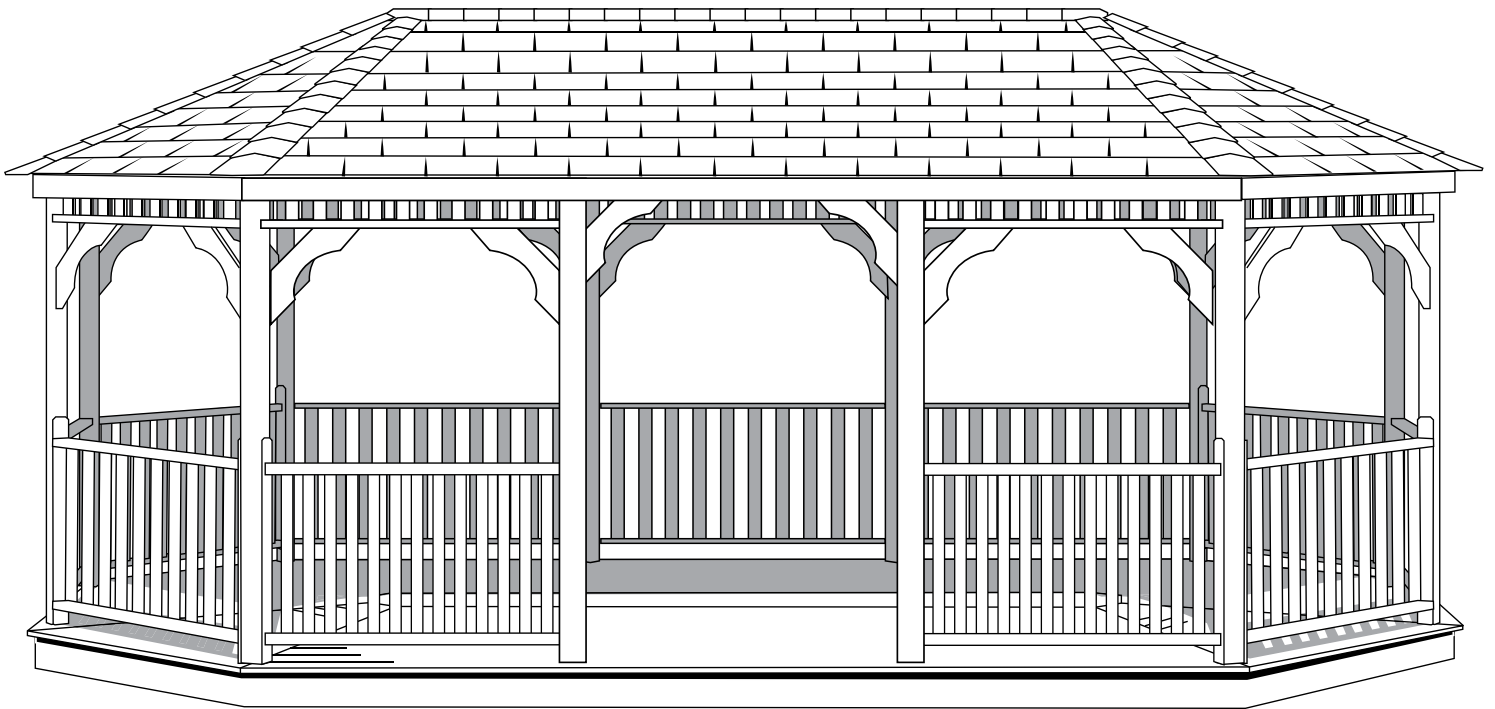


ASSEMBLY INSTRUCTIONS

# OVAL GAZEBO

Wooden and Vinyl Gazebos 6' to 16'



Thank you for the purchase of your new gazebo. Depending on the size of your gazebo, installation can usually be completed in one to two days. These instructions are the same for wooden and vinyl gazebos up to 16'. Additional options may have a bearing on installation.

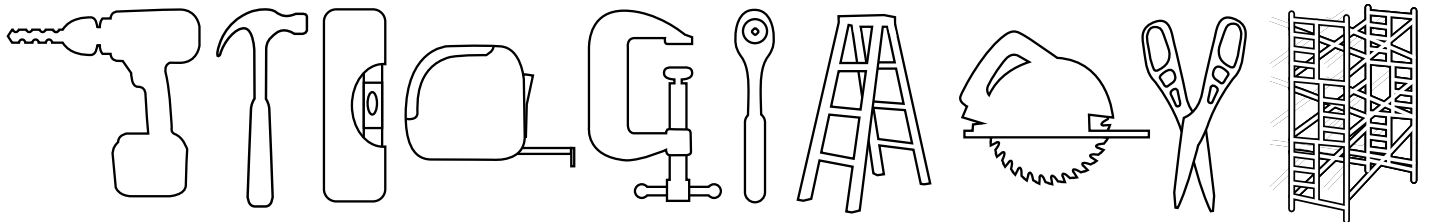
# Before You Begin

These instructions are meant to serve as a guide for people with a basic knowledge of general handyman skills. This assembly requires a minimum of two people to complete.  
***(Extra help with installing the roof sections is suggested.)***

Please always check with your local building codes. These will vary from state to state.

## Tools Needed for Assembly

Screw Gun/Drill, Hammer, Level, Tape Measure, C Clamps, Socket Set, Ladder, Circular Saw, Vinyl Snips



An air-nailer or stapler can be used for rubber or asphalt shingles.  
(Air nails and staples are not included in the kit.)

You will receive a parts list with your gazebo. All hardware is included in each gazebo kit. The specific hardware will vary depending on the gazebo. Please see your parts list for details.

You will also need a few 10+/- foot long 2x4s - Prop boards for the roof

# Site Preparation

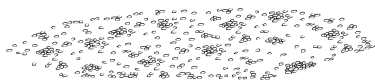
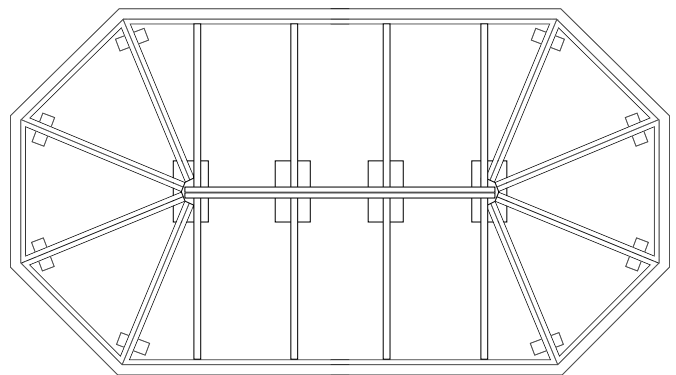
It is very important that the site be properly prepared before beginning assembly. It is imperative that the site be level. We strongly recommend a hard, compact base for your gazebo. The base both supports the gazebo and allows for proper drainage below. The hard, compact material can be anything from a concrete pad, compacted gravel, or patio blocks.

If the area is level, the easiest method would be to use patio stones or blocks. These are available from your local landscape supply company or lumber yard in different sizes such as 8"x16", 12"x12", or larger. They come in different thicknesses as well. Be sure to rest the floor of your garden structure on the blocks so that it is supported at each post and in the middle. Additional supports should be added as needed so that there is no span greater than 4-5 feet.

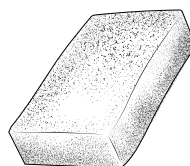
Once you have selected the foundation material, it must be leveled within 1-2 inches from side to side. Loose gravel is easier to level and provides ample support, but it must be contained. Patio stones should be leveled

when set. Additional shimming using treated wood or other material may be needed.

If you choose a concrete pad, it must be square, level and plumb. A sloping pad means a leaning gazebo, which will put extra stress on joints. A benefit of concrete, flagstone or brick pavers is the added functionality, as they can be expanded for other uses and support larger weight.



2B Crushed Limestone Gravel



Patio Stones or Blocks

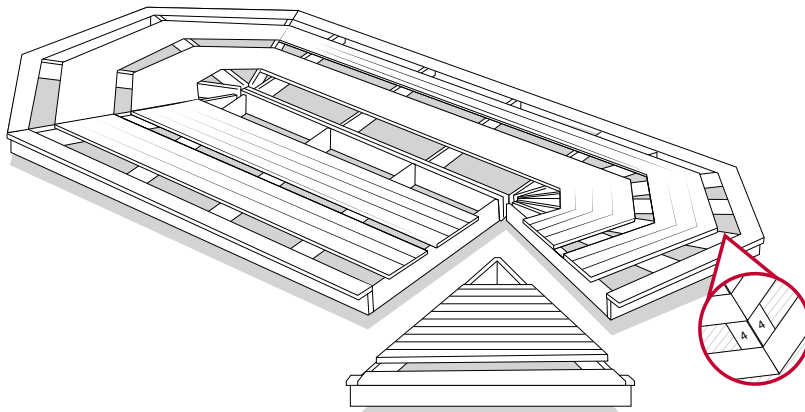


Concrete Pad

# Gazebo Floor Assembly

For structures without a floor, proceed to page 7

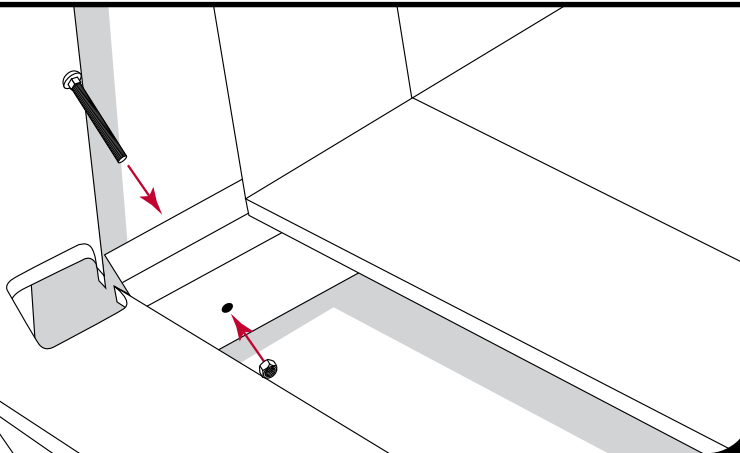
1



Plan out your building site and remove floor sections from packaging.

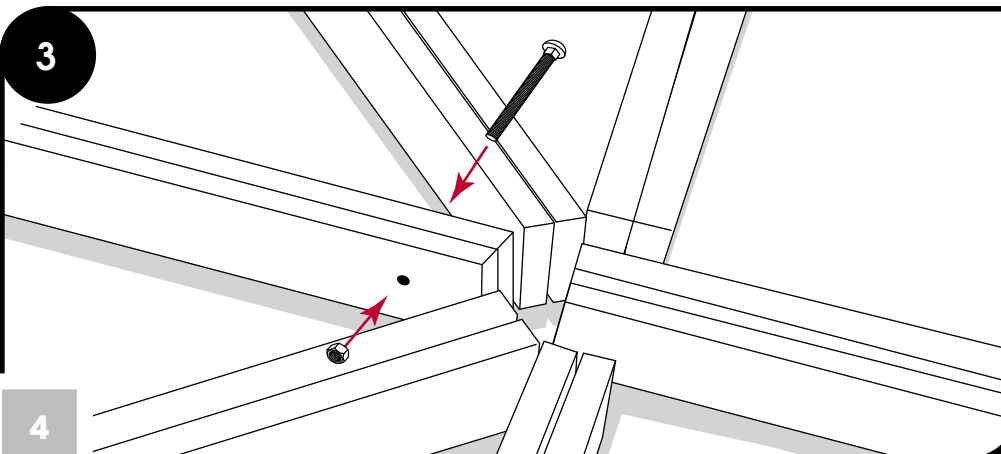
The first thing you will need to assemble is the floor of the structure. The floor is shipped to you in sections. You will need to arrange the sections in order by matching the numbers listed on them.

2



You will need to take the  $\frac{1}{2}$ " x 4" bolts and insert them through the pre-drilled holes in each adjoining floor sections joist (as shown). At this time, you will only finger tighten the nut.

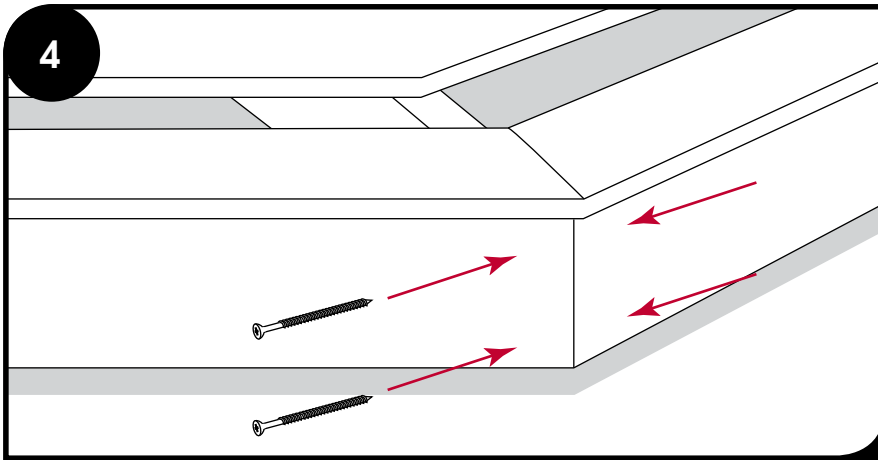
3



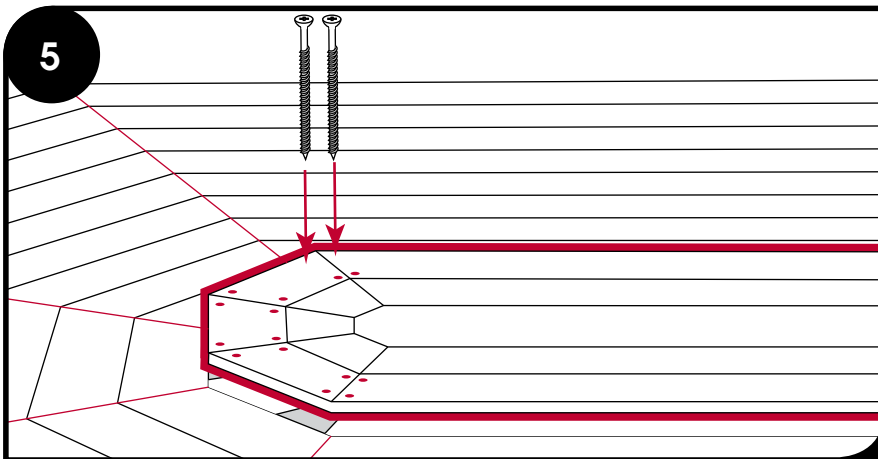
Do the same process as in Step #2 — this time where the joists connect near the center of the floor.

Repeat this step in the middle holes of the deck as well

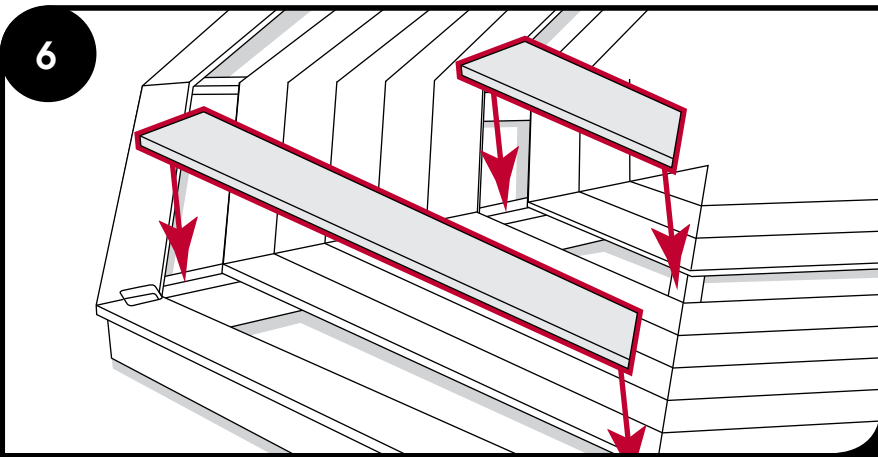
4



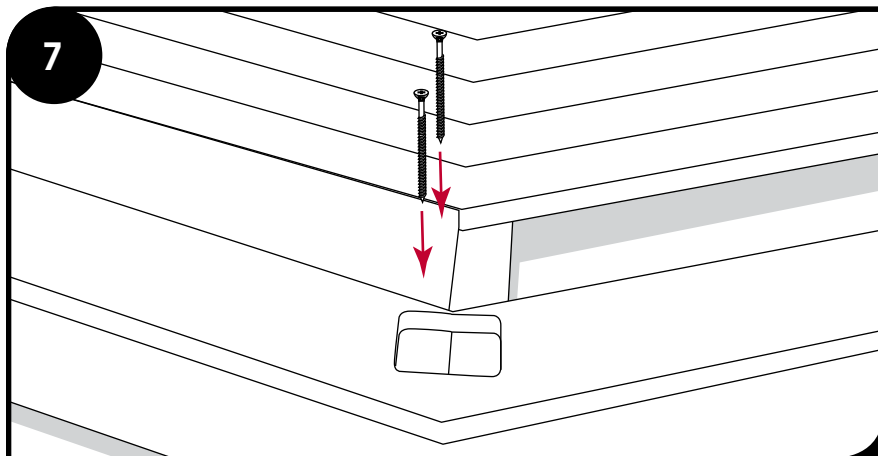
Ensure that the floor sections are aligned at the corners as shown. Next, insert two 2½" screws from each side at the outside corners of the base panels into each adjoining panel. Continue this process around the base until all panels are joined together. Now you can go back and fully tighten the nuts on the bolts that you inserted in Step #2.



Now set the center decking section into place. Using 2½" decking screws, connect the decking section to the floor joists. Please make sure to screw into the floor joists with four screws per decking board.

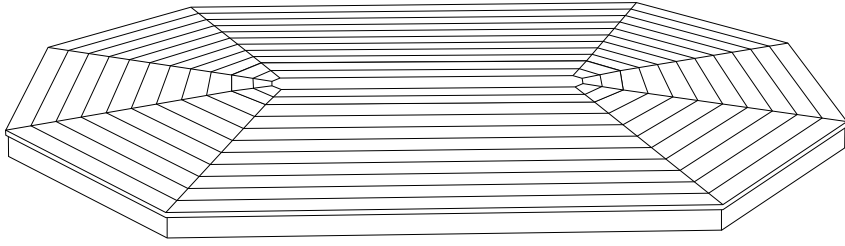


Find the decking boards that are missing from the outside border of the floor and set them into place as shown.



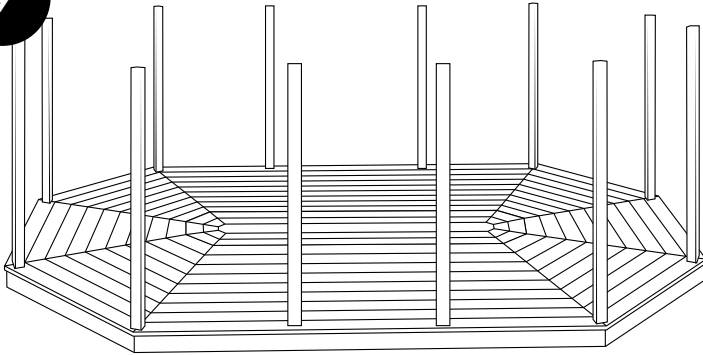
Drive two 2½" decking screws into each joist like you did in step #6 with the center decking section. Do this all the way around the deck until all decking boards are secured in place.

8



The deck should now look like the picture to the left. Before proceeding, make sure that the floor is level. You can shim as needed.

9



You are now ready to set all of the posts into place. Slide each post into the deck with the post bases fully seated into their respective pockets.

### Note

Position the laminated posts so that the seams face and will mostly be covered by the railings. Cedar & vinyl posts are not laminated, so there is no preference as to which way they are inserted.

# No Floor Structures

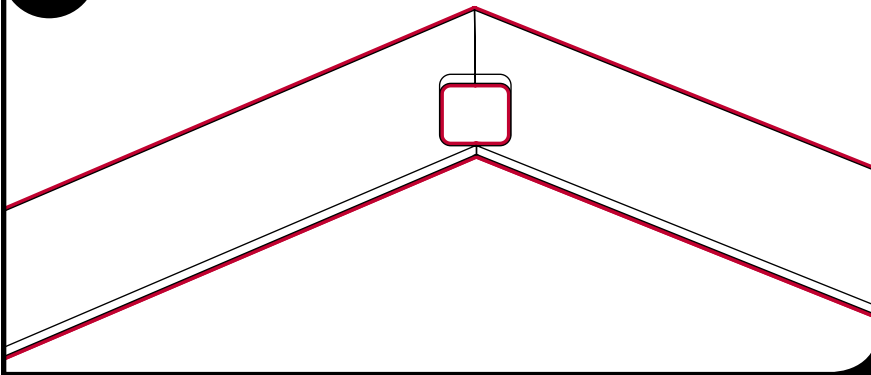
Gazebos ordered without a floor are sent with a floor template. This template is designed to ensure proper placements of the posts for the gazebo. It is made of five 5¼" x 6" boards. If you are building the gazebo on a concrete slab or an existing deck, it is best if the surface is perfectly level. If not level, cut the posts so the tops of the posts are all level (see final step)

## NOTE

**IMPORTANT!** The roof will be difficult to assemble if the top of the posts and top plate are not level. It would be best to use a transit or laser level to insure the best accuracy. If your building surface is not level it will be necessary to either cut the posts or shim under the posts to ensure that the tops are level.

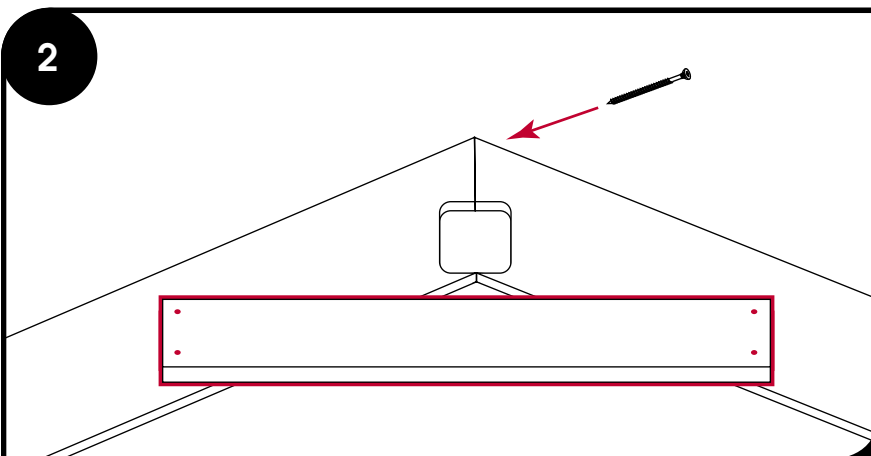
**SCREENS and FOUR TRACK WINDOWS** — if you plan on using a screen or window kit with your gazebo. These kits are designed to work with a post height of 78" to 78½". This will require you to cut the posts accordingly. If the posts are not the correct size, there will be a gap at the bottom of each screen section.

1



Lay the templates so that the angles at the corners appear as shown here. And make sure that each board is flush with the adjacent template board.

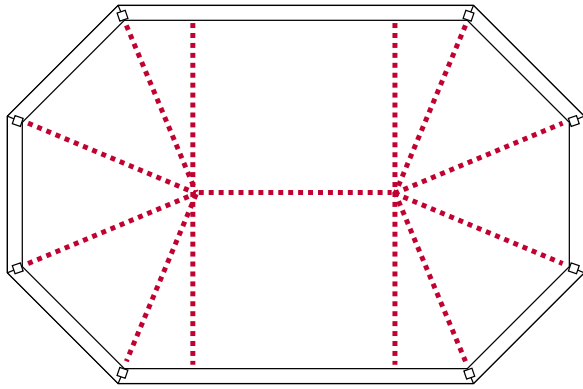
2



Screw the template together using 2½" screws to hold the boards together.

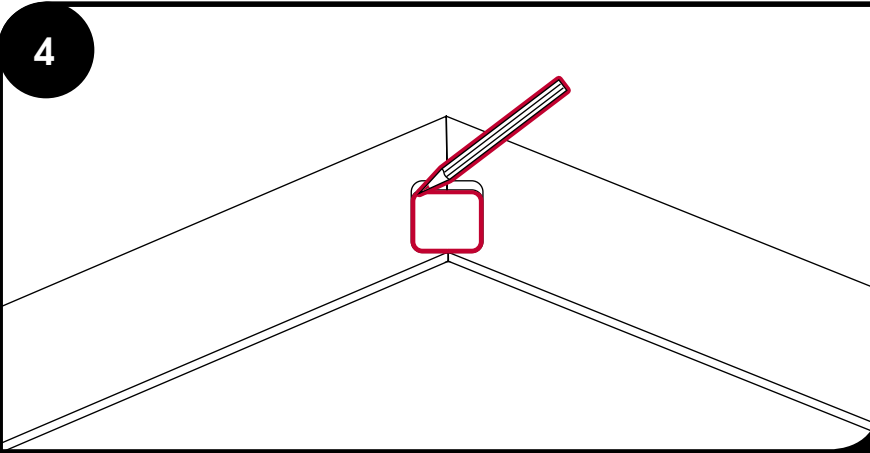
You can also further secure the corners of the template with a scrap piece of wood as shown. The template can also be attached temporarily to an existing deck with screws to hold it in place.

3



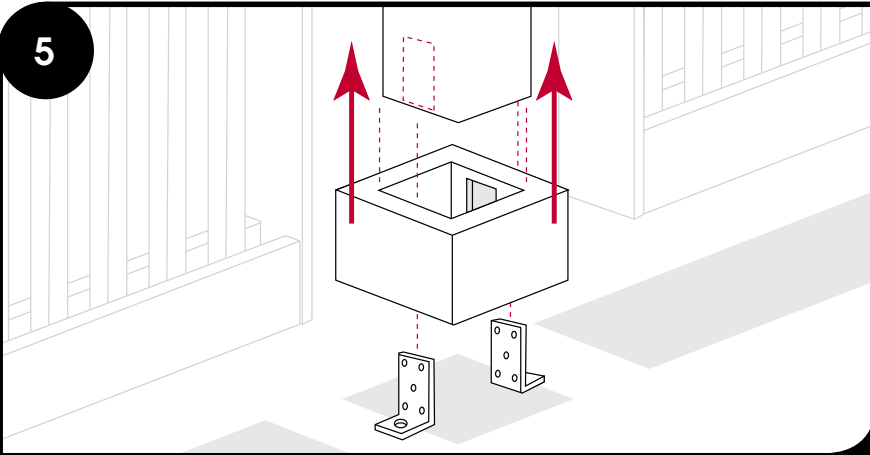
Make the template square by measuring the distances from one corner to the opposing corner and compare the measurements. Adjust the position of the template until all four measurements are the same. (Be sure all corners are still securely fastened.)

4



If you intend to anchor your posts using an "L" bracket, mark the location of the posts with a pencil then remove the template before construction.

5

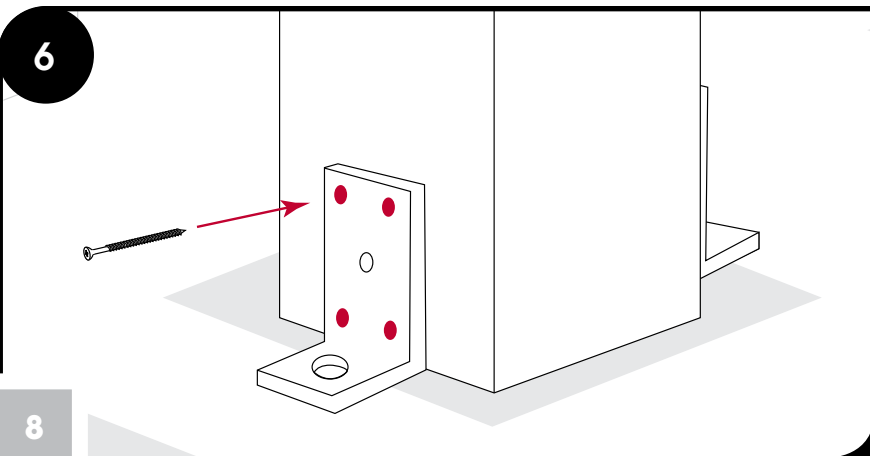


For posts using base trim and L bracket anchors - Slide the base trim onto the post. Be sure to position the notches on the inside of the trim to line up with the L brackets which will be placed on either side of the post and directly under the railing.

### Note

If your structure was engineered, there may be more than two brackets, or they may be positioned differently.

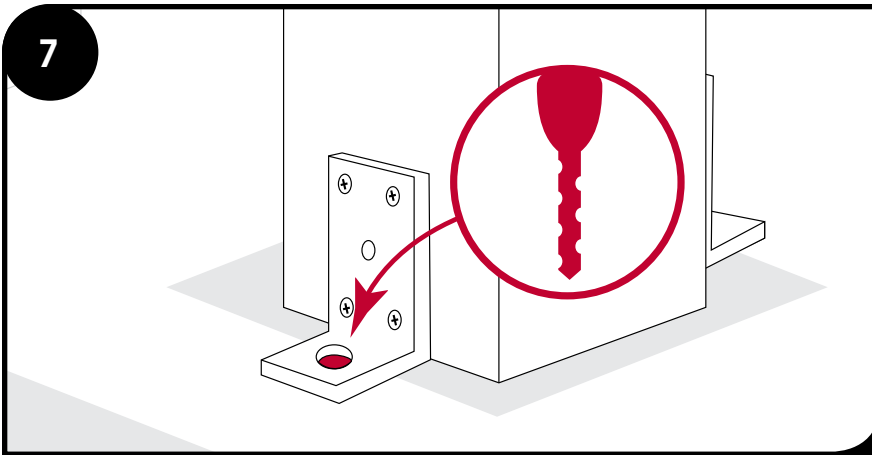
6



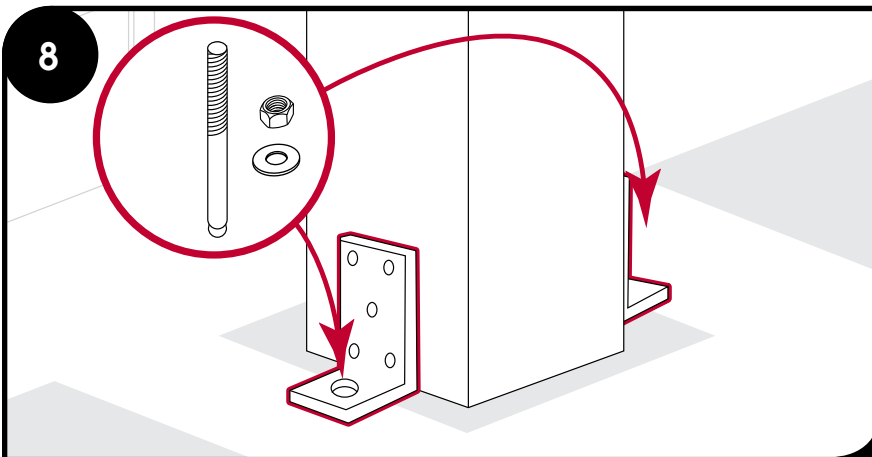
Attach L brackets to either side of each post using five 2½" screws.

8

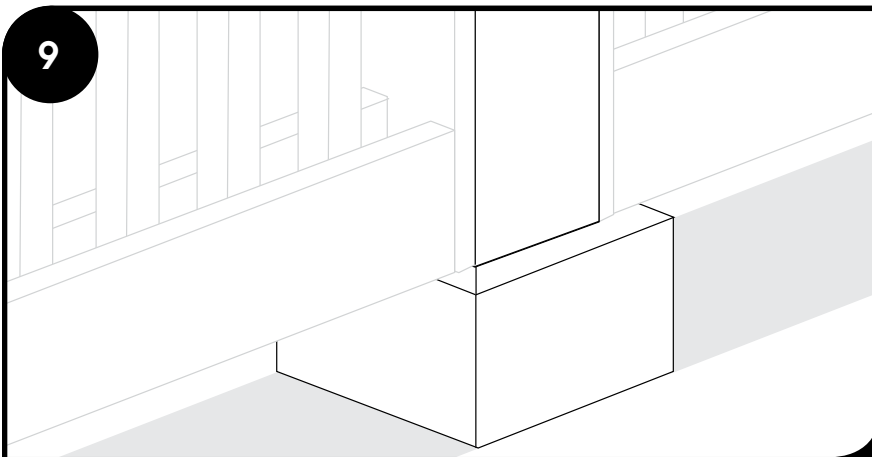




Mark the lower anchor holes with a pencil. Remove the post and bracket and drill the anchor holes using a 1/2" drill bit.



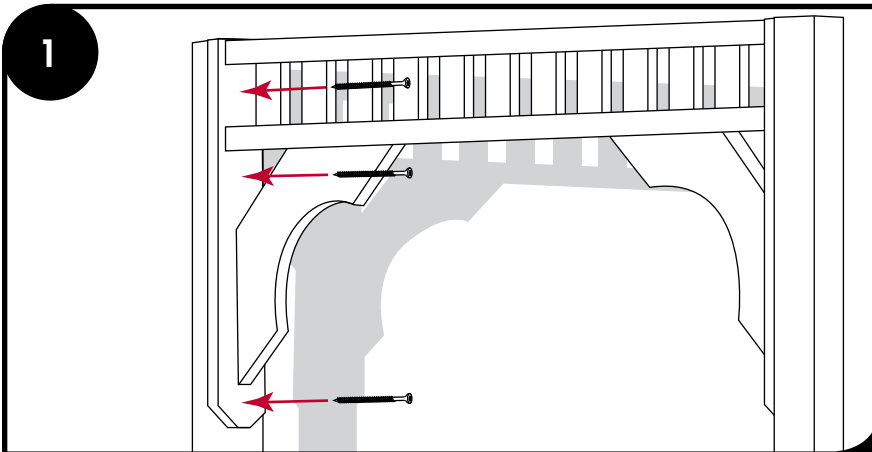
Position the post and brackets back over the holes and insert the wedge bolts and tighten them down.



Slide the base trim down over the secured L brackets.

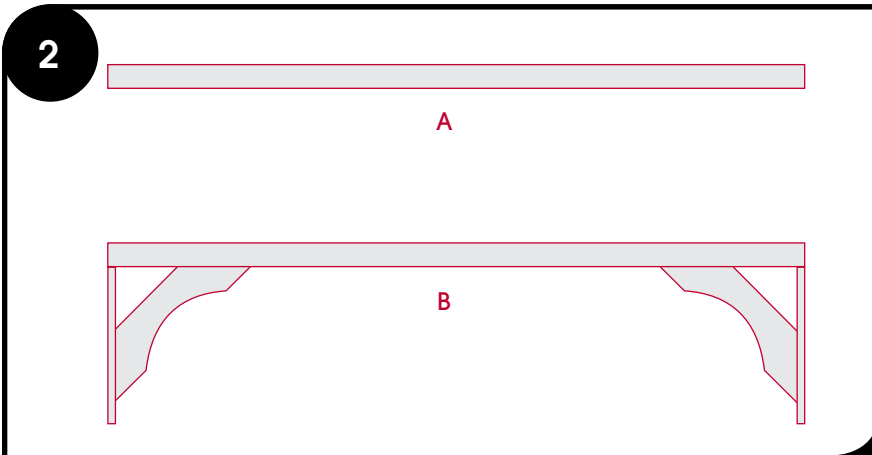
When installing railing the bottom of the railing will rest on top of the base trim.

# Railing and Braces



Do not attach the posts to the floor at this time. You will do so on page 12, step #11.

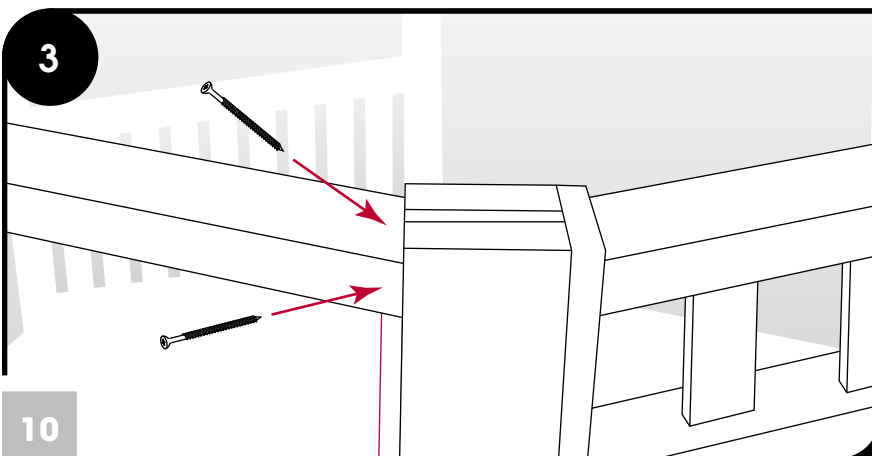
Next, you can install the top railing/brace sections. You will want to align the top of the top rail with the top of the post, centered. After you have the top rail/brace lined up, drive three 2½" screws through the side board into the post. You will do this until all top rails are installed.



## DOORWAY

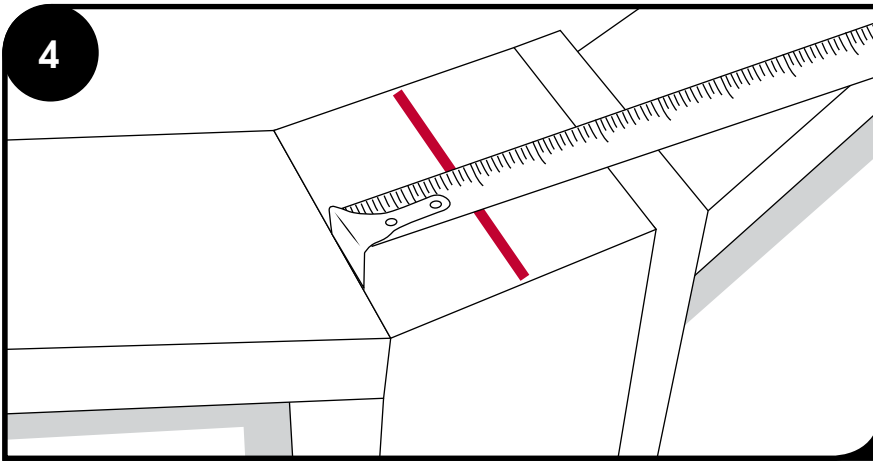
Locate the top rail for the entrance.

If you've ordered the screen package, this piece has no corner braces (A). Otherwise this piece will have corner braces (B).

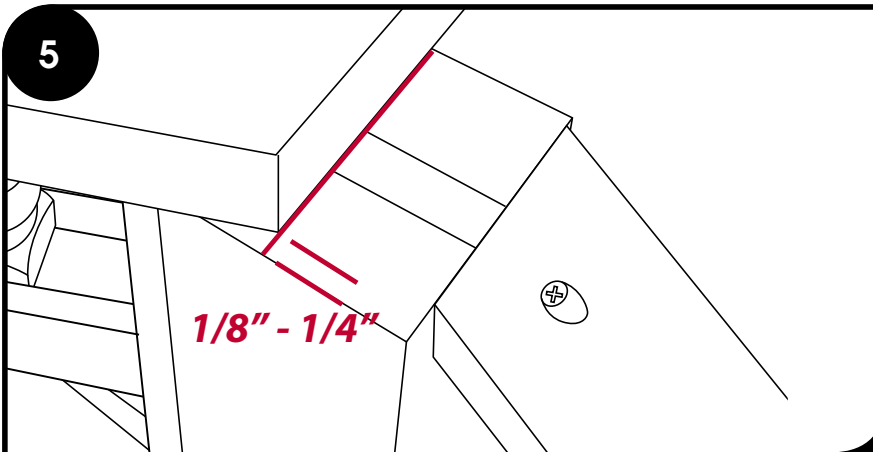


## FOR SCREEN PACKAGE ONLY

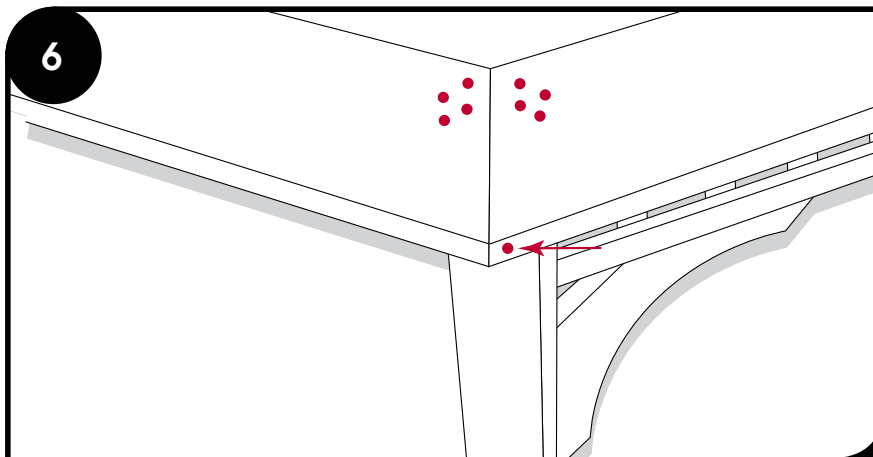
Insert 2½" screws in both the top and outside of this piece to secure it to the post.



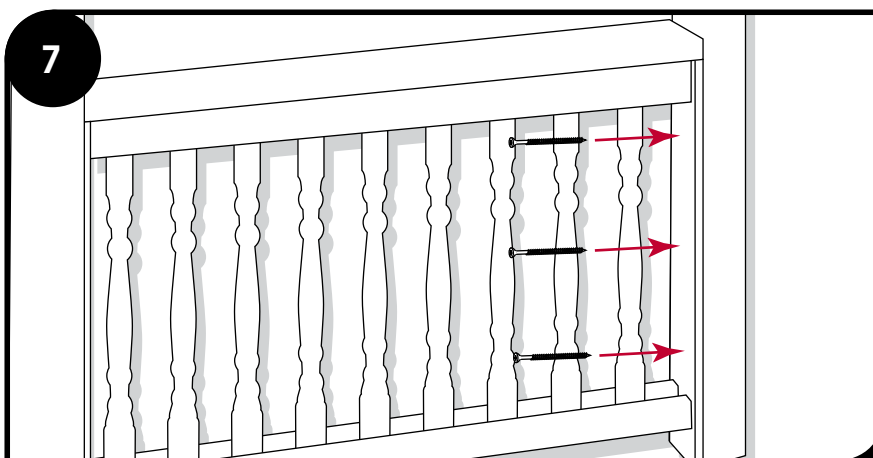
You are now ready to start the roof assembly. On the top of each post, you will need to find and mark the center as shown. This will help you line up the 2x8 top plates in the next step.



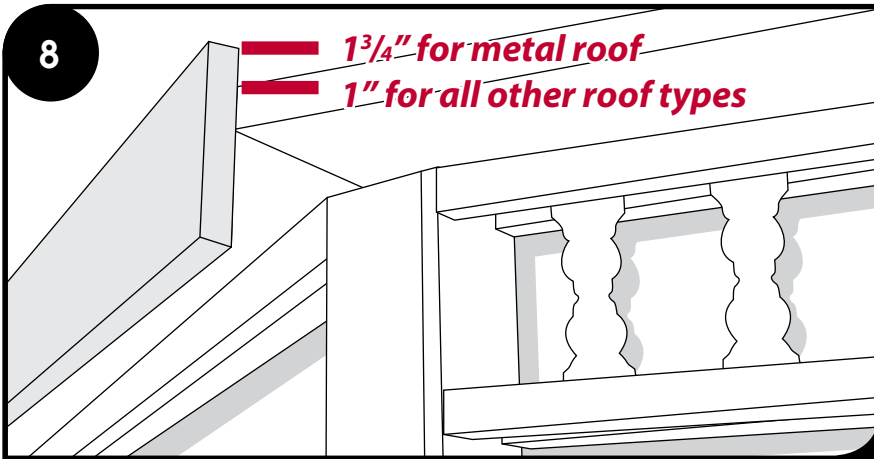
Position the first top plate board in between two of the post center markings. Note: With the top plate centered between the markings, you should have a  $\frac{1}{8}$ " to  $\frac{1}{4}$ " space from the inside corner of the top plate to the inside edge of the post. Screw in a single  $3\frac{1}{2}$ " screw on one end of the top plate to hold it in place, position it and put a screw in on the other side as well to keep it in place. Screw only the first board down at this time.



Position the adjoining top plate for installation and screw it from the corner to the other top plate. Follow these steps until all the top plates are in place. Make sure all corners fit tightly and are spaced equally over all posts. Next, fully secure the top plates from the top by driving a screw every 16". Do this along the entire length of the top plates with  $2\frac{1}{2}$ " screws into the top rails and four  $3\frac{1}{2}$ " screws into each post.



Now you are ready to install the bottom railing sections. You will need to set these sections into place and center them on the posts. Make sure that the bottom of the side boards (legs) are touching the decking below. Once the section is in place, screw it into the post with three  $2\frac{1}{2}$ " screws. You will continue this until all bottom rails are installed.

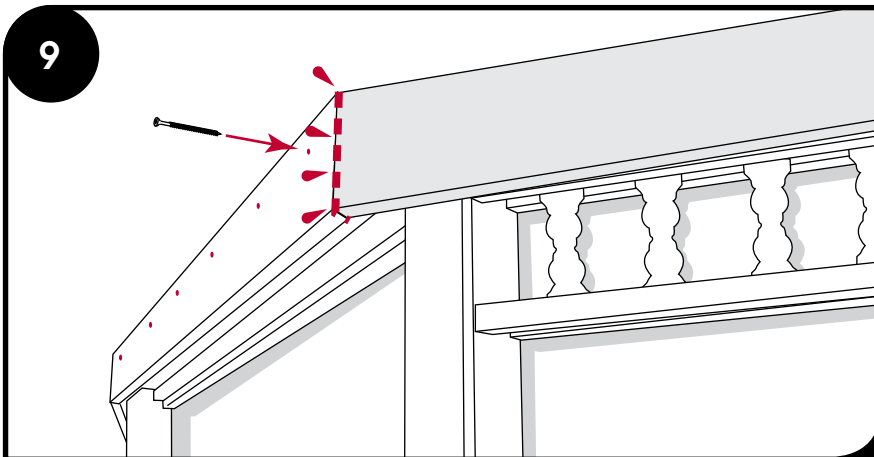


Install the outside fascia. Make sure that the fascia sits up above the top plate

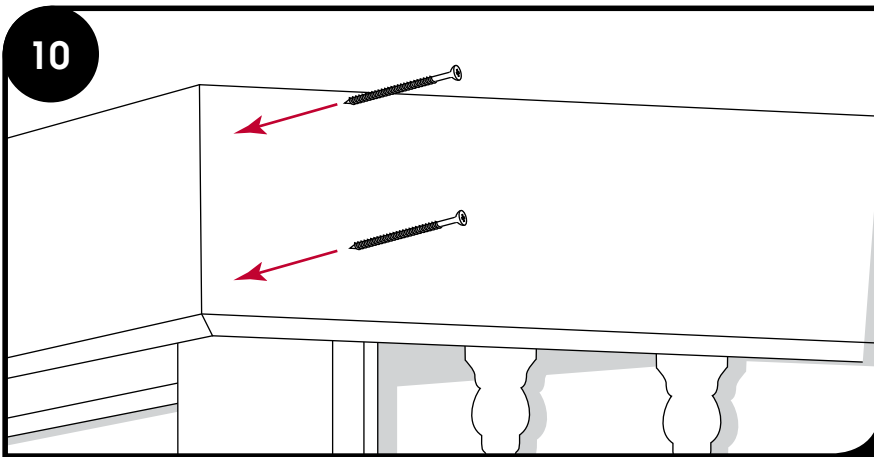
**1 3/4" for a metal roof**

**1" for other roof types**

Once the fascia is in position, screw it into the top plate with 2 1/2" screws every 24". The screws should be 4" in from each end and 1 1/2" to 1 3/4" from the top edge.

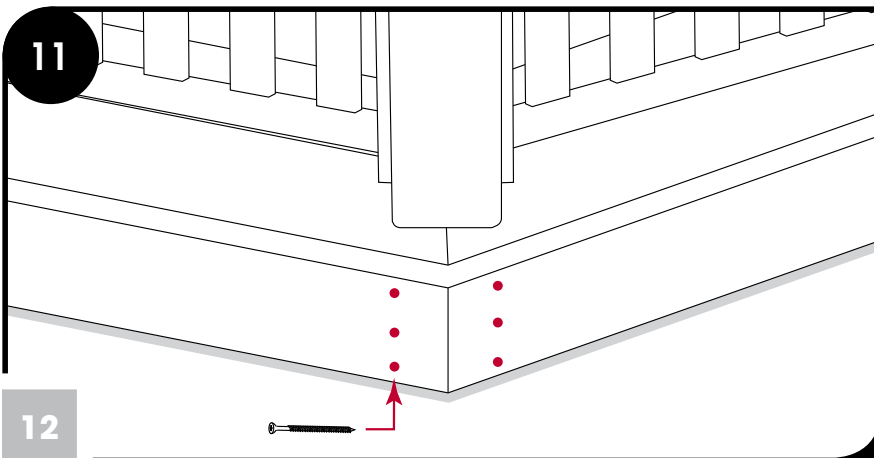


Once the fascia is in position, screw it into the top plate with 2 1/2" screws every 24". The screws should be 4" in from each end and 1 1/2" to 1 3/4" from the top edge. The final fascia board may need trimmed down to ensure proper fit.



**Note**

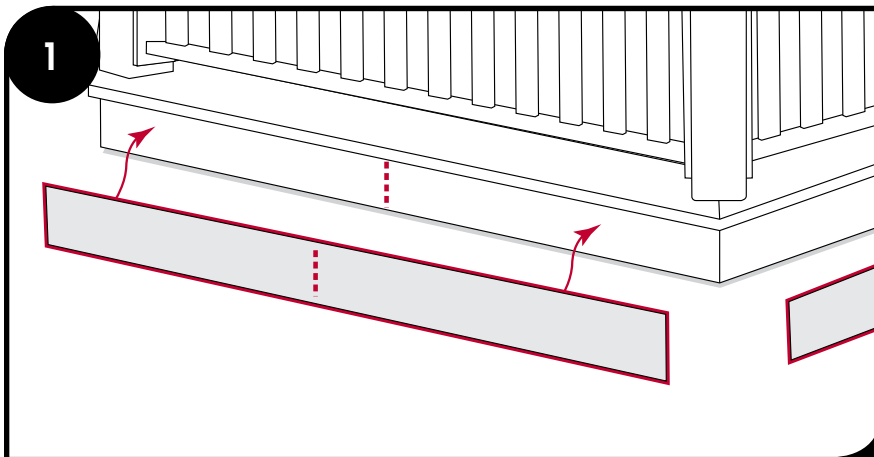
If the fascia board is too long (if you need to cut, use a 22 1/2 degree bevel cut). Also, make sure to screw each adjoining fascia board to each other at the corners with two 2 1/2" screws.



Now that both the top and bottom rails and top plate with fascia are installed, go around the bottom of each post and secure the frame of the deck (rim board) to the posts. You will do this by screwing three 3 1/2" screws into each outside facing post. This is very important because it will provide a lot of the stability for the gazebo.

# Base Trim for Vinyl Gazebo

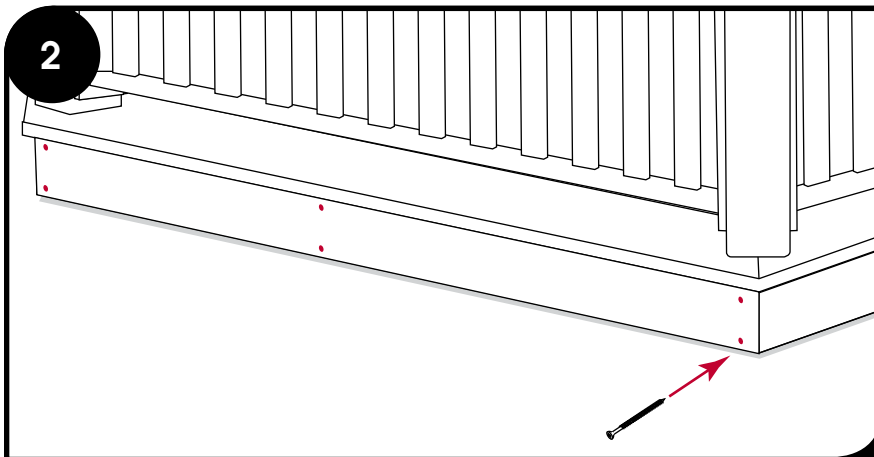
**NOTE:** If you are building a wood gazebo skip this page.



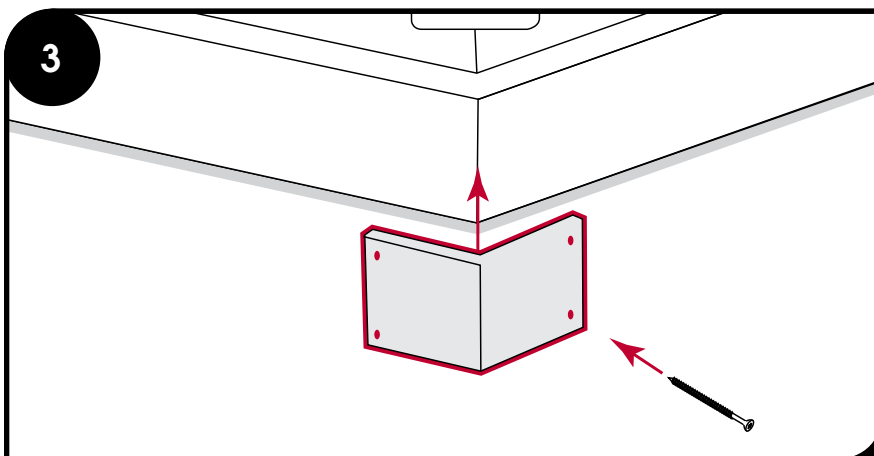
Find all of the floors vinyl trim boards and set them where they belong. Mark the center of each board and the center of the corresponding floor trim board.

## Note

The trim boards are slightly shorter than the gazebo floor trim boards to allow space for the corner trim.



Line up the center marks and fasten them trim board to the outside rim board with six 2½" white head screws. Use two screws on each end and two in the middle. Do this all the way around the gazebo.

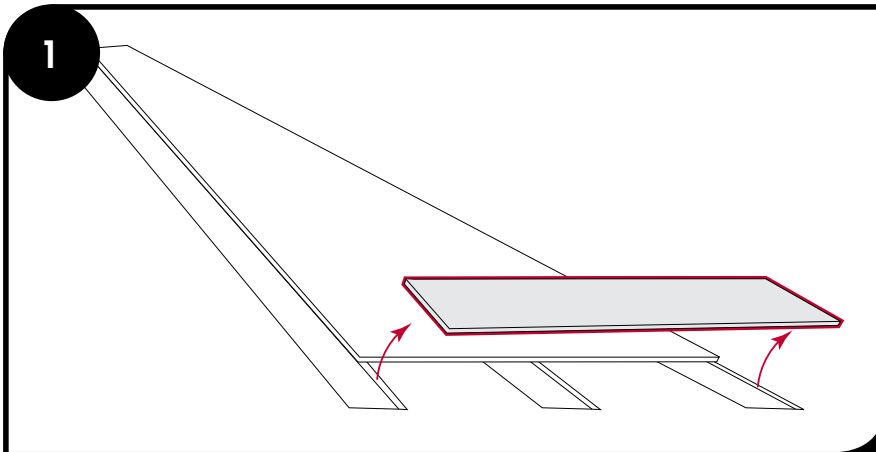


Fasten the corner trim pieces to the trim boards with four 2½" white head corner screws (two on each side). The overhang on the trim will hide most variances in the trim boards. If a corner doesn't fit, you can trim it to the necessary length.

# ROOF ASSEMBLY

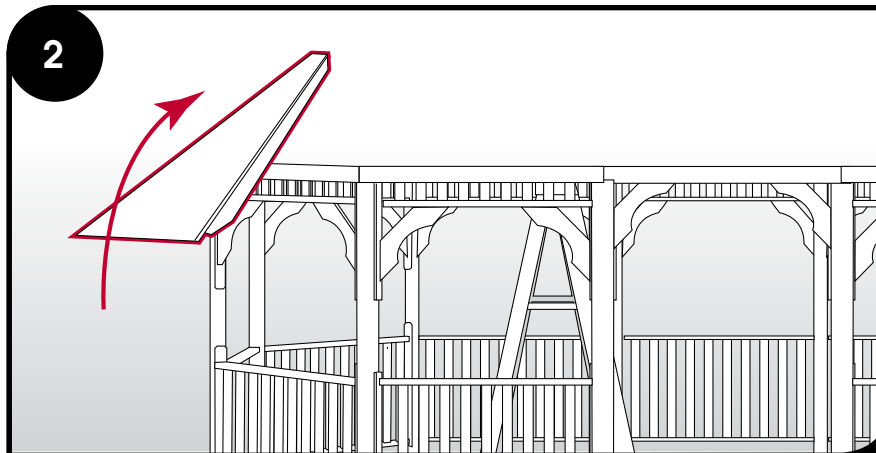
## CAUTION

It is extremely important to use care when setting the roof sections into place. The roofing sections may weigh up to 150 lbs depending on the size of your gazebo. Please use three or four adults to safely set these sections into place.

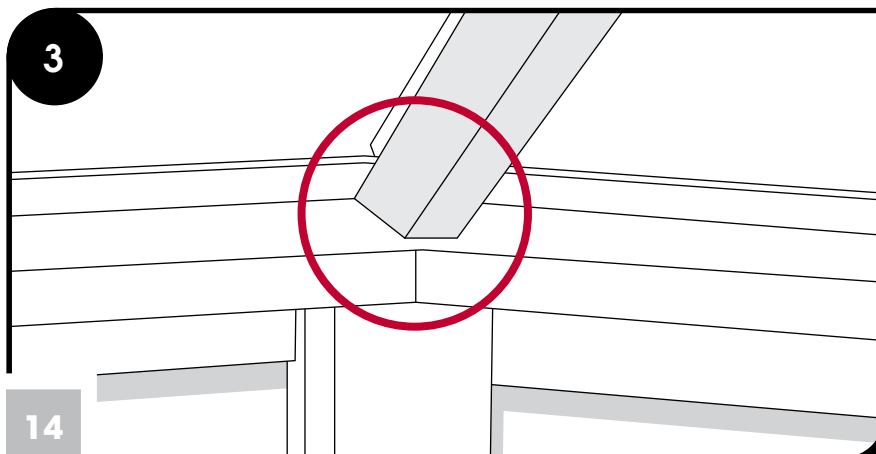


Skip this step for Cedar Shake or Rubber Slate roof.

In order to be able to install the roof sections on the top plate, we recommend that you first carefully remove the bottom roofing board on each section and set them aside for reattachment later. This will give you access to the rafters in order to connect them to the top plate.



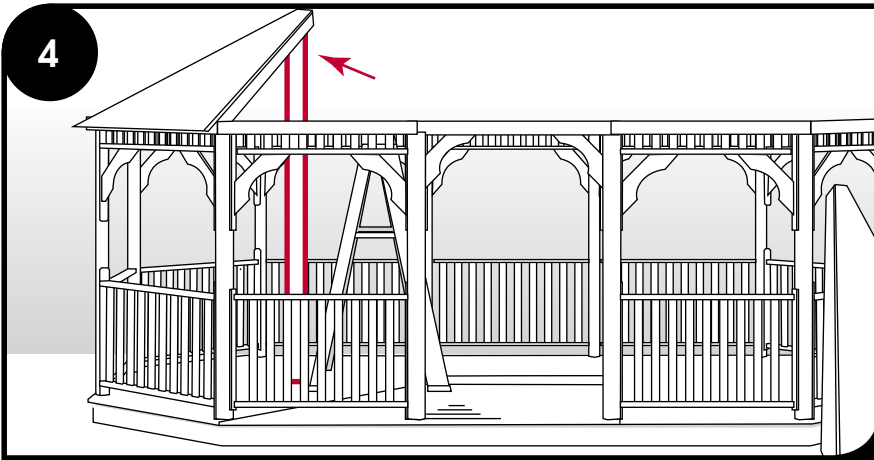
The roof sections are numbered. Place them in order starting with one and go in a clockwise direction. Have one person on a ladder inside the gazebo to help guide the sections. It may take two to three additional persons to lift the section into place.



Slide each roof section up onto the top plate until the rafter ends drop onto the top plate. Align the rafters with the edge of the top plate, resting against the fascia.

### Note

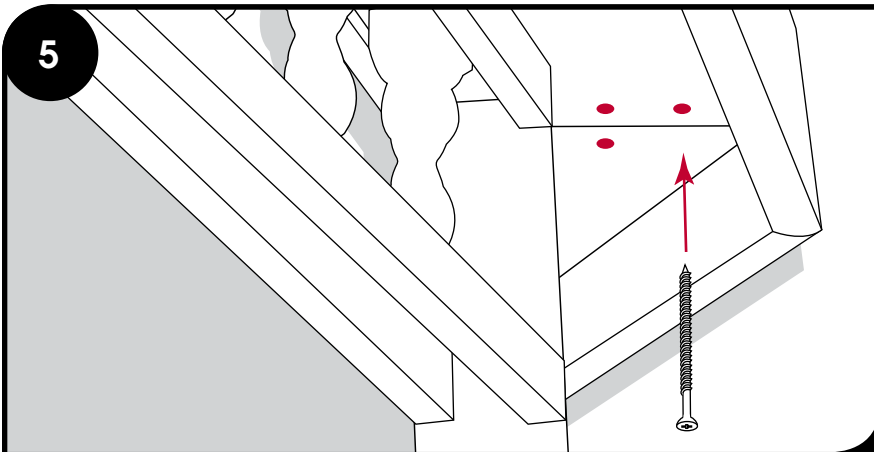
Make sure the bottom cut is sitting flat on the top plate.



4

After you have the first section in place, you can use a prop board to hold it in position while you get the second roof section set into place. If using a prop, make sure that you place it toward the top of the roof panel so it does not see-saw. (Prop boards are not included.)

Use caution when working with the props and roof sections until the roof sections are all secured and in place.



5

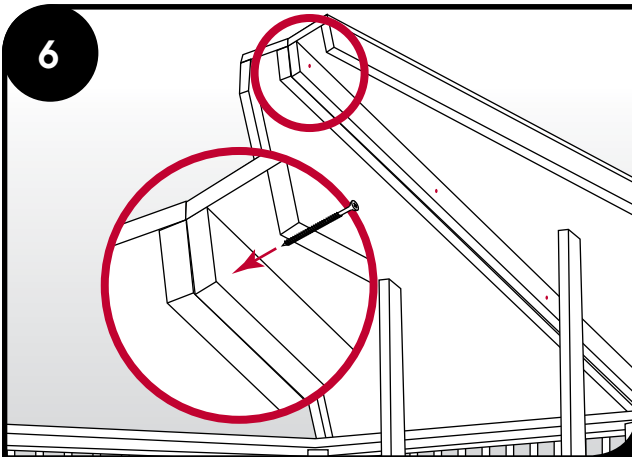
Skip this step for metal or shingle roof

### CEDAR SHAKE ONLY

Secure this first panel into place by driving two 3½" screws into each rafter from the underside of the top plate as shown.

### Note

At this time, secure the first panel only.

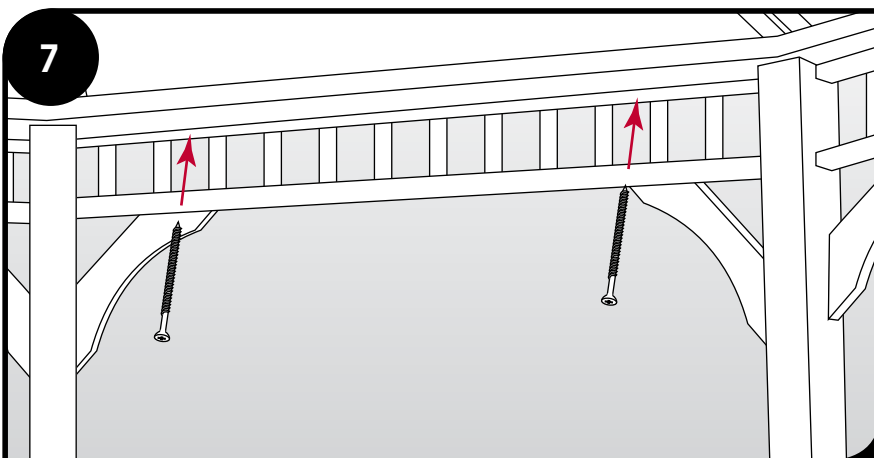


6

Lift and set another roofing section into place beside/against the first one. Make sure that you have a helper tending to the props so they do not get dislodged during this process. With the roof rafters aligned and flushed at the top with each other, secure them together with 2½" screws. Screw them together every 16" to 24" along the entire length of the rafter. Repeat this until all roof sections are in place and secured.

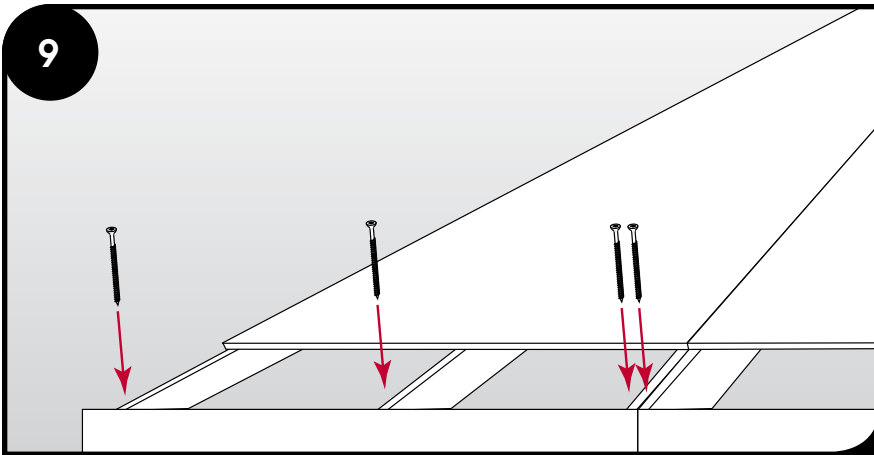
### Note

If you ordered a pagoda roof, go to page 18.

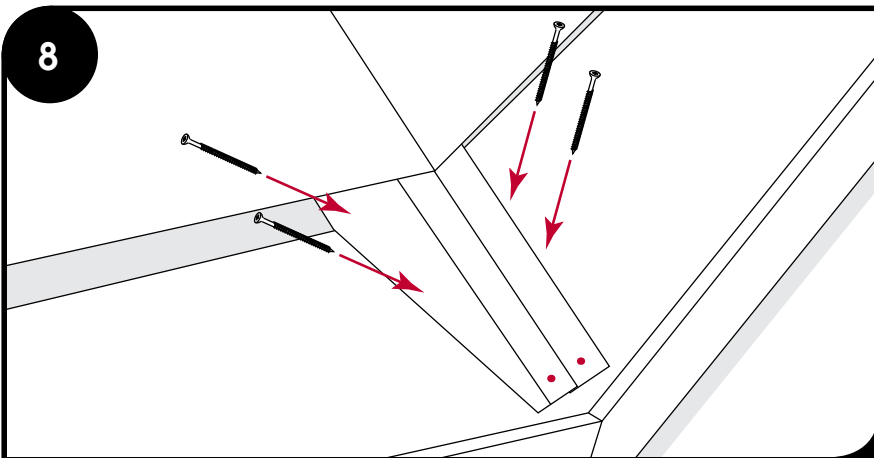


7

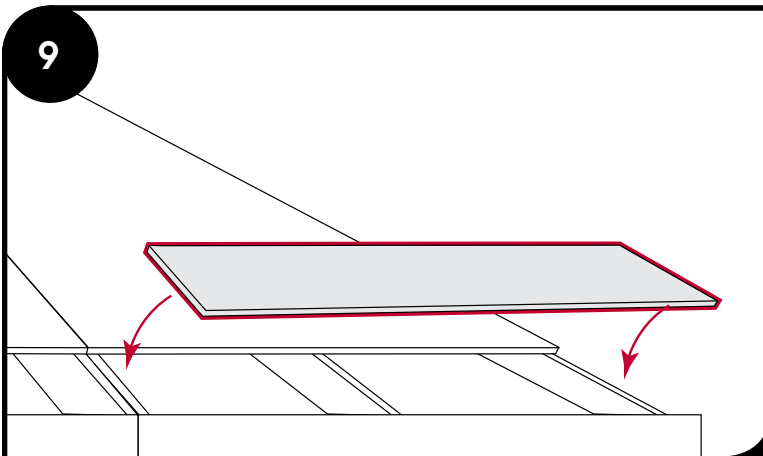
Go back around and secure all the top railing sections to the top plate as shown. Use 2½" screws and drive them from the underside of the railing up into the top plate. Use two screws evenly spaced per rail section.



Use 2½" screws to attach the rafters to the top plate. Put one screw into the top of each rafter and then one into the side of each rafter.



Once you have attached all the rafters together, the next step is to attach the rafters to the top plate. (This is why you removed the bottom boards earlier!) Do this by running screws into the rafters at an angle and into the top plate.



Once all of the rafters are attached to the top plate, you can now re-attach the roofing boards that you previously removed.

### Note

On the last roofing panel, screw in the top end first. The roof may need to be adjusted to fit the last panel. Push up on or pull down on the rafters in the center of the roof assembly to adjust.

## If you have a pagoda roof

Continue to page 17 to assemble your pagoda roof or page 21 for an pre-assembled pagoda roof.

## Congratulations!

Your gazebo structure is complete.

Move on to the roofing material included in your kit.

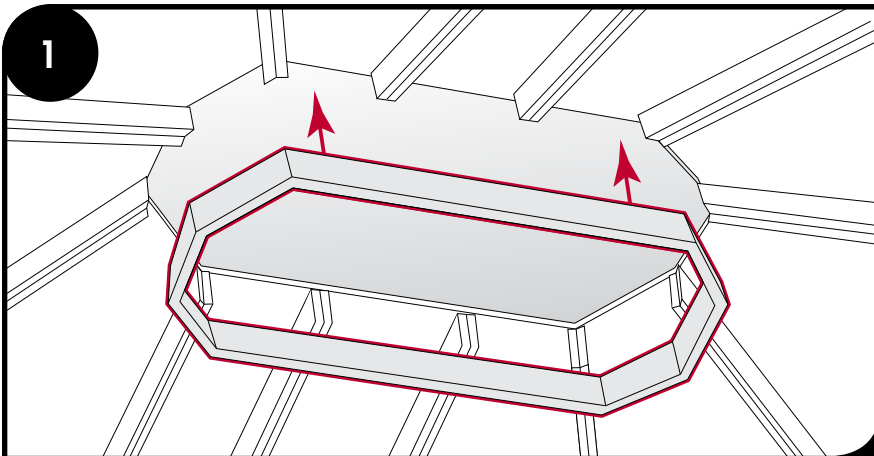
Asphalt Shingles - go to page 22

Cedar Shake - go to page 26

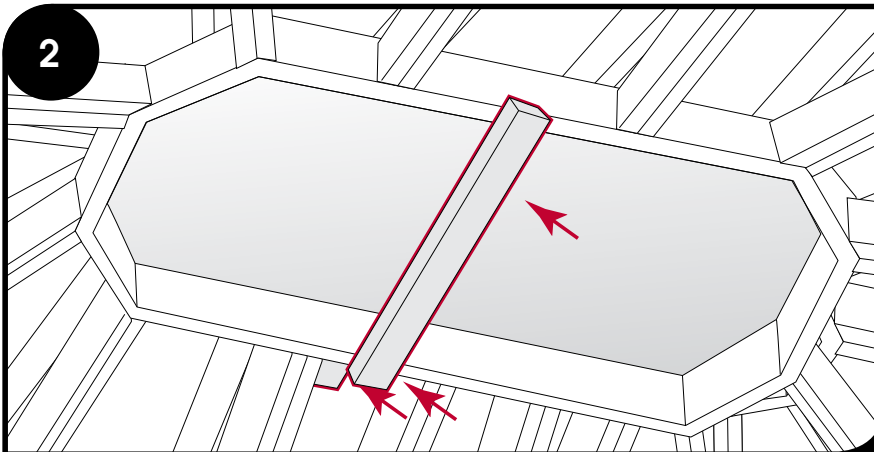
Metal Roofing - go to page 28



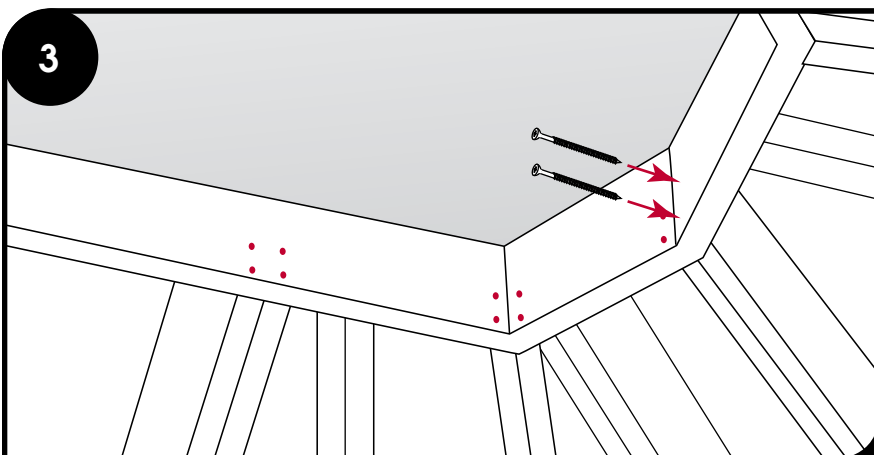
# Pagoda Roof Kit



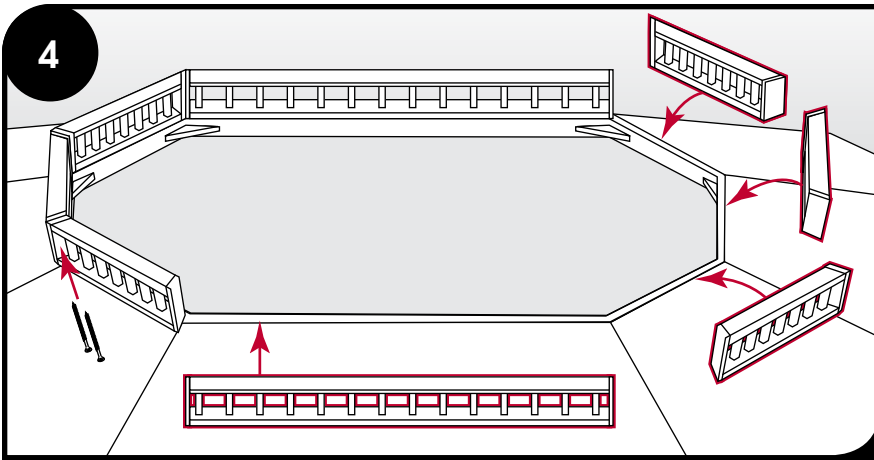
Fit the ring (Pagoda Ring) into the center of the rafters by pushing up from the inside. Align the panel numbers and use the pre-drilled holes. If necessary, you may loosen some of the rafter screws to allow for an easier fit. Be sure to re-tighten the rafter screws when finished.



If needed, place a piece of scrap wood below the ring, and hammer up to align the bottom of the ring with the bottom of the rafters.

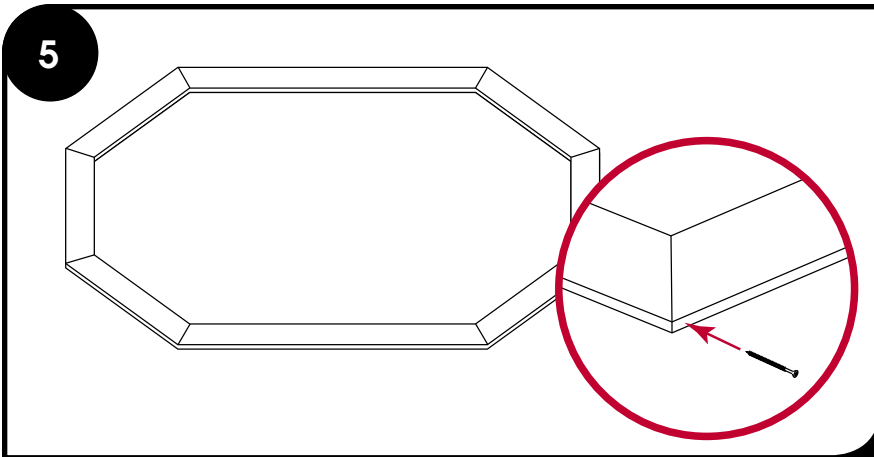


Attach the ring to the rafters by inserting two 3/2" screws into each individual 2x4 rafter

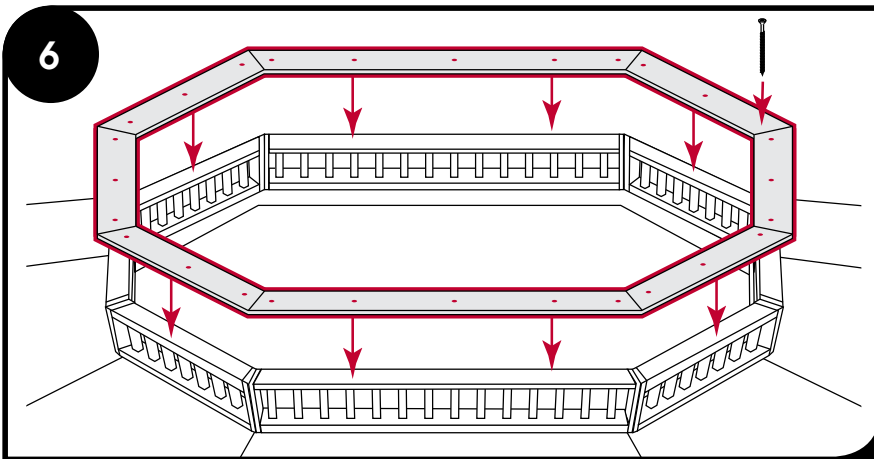


Insert the lower pagoda roof collar before positioning the upper pagoda roof.

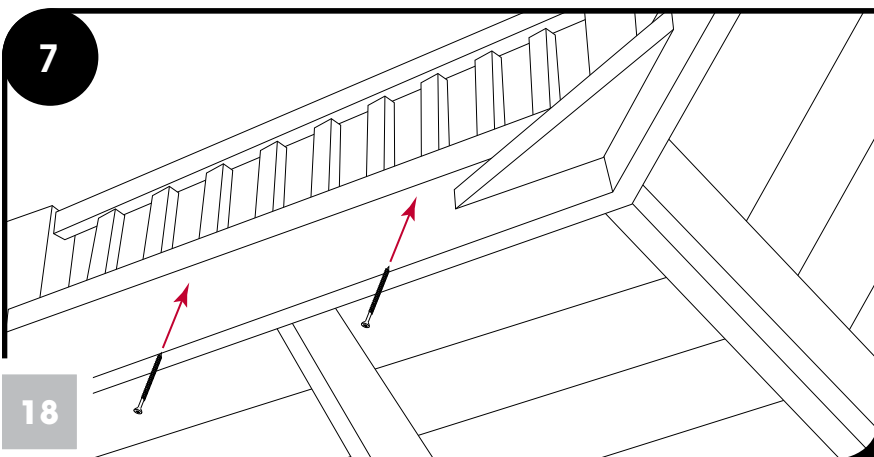
Sort out the parts for your pagoda roof kit. Take the upper pagoda ring panels of the top and join them together and then secure them to the inner roof ring with 1½" screws. Be sure to follow the numbering sequence noted on each panel.



Connect all of the upper top plates to each other on the ends with 2½" screws to create an octagon top plate assembly.

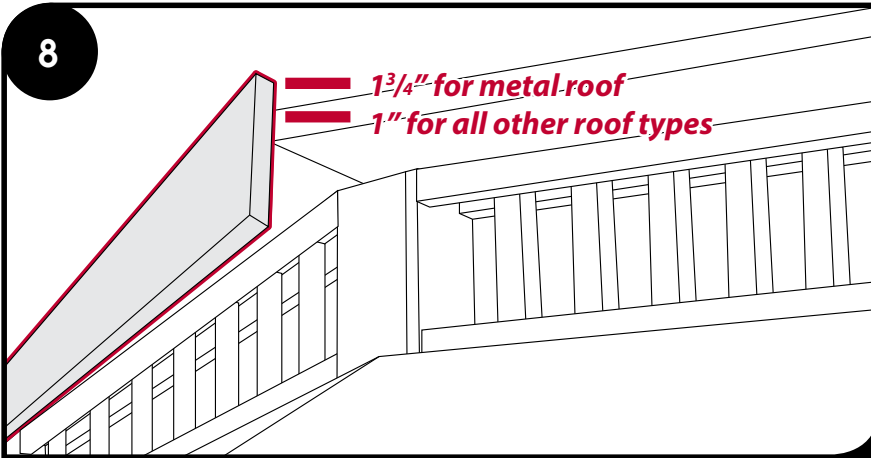


Center the top plate assembly over the upper ring. Screw the upper top plate assembly into the trim ring every 24" with 2½" screws.



Secure the pagoda ring to the roof sections by toe nailing every 16" with 2½" screws.

8



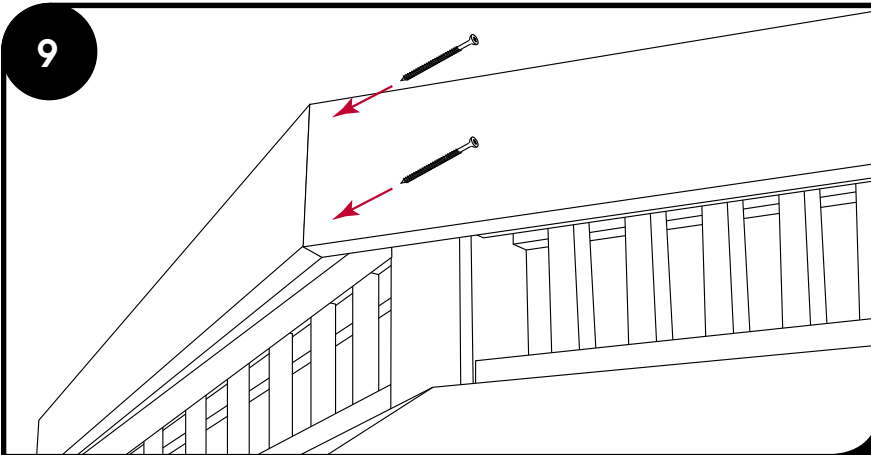
Install the upper fascia. Make sure that the fascia sits up above the top plate

1 3/4" for a metal roof

1" for other roof types

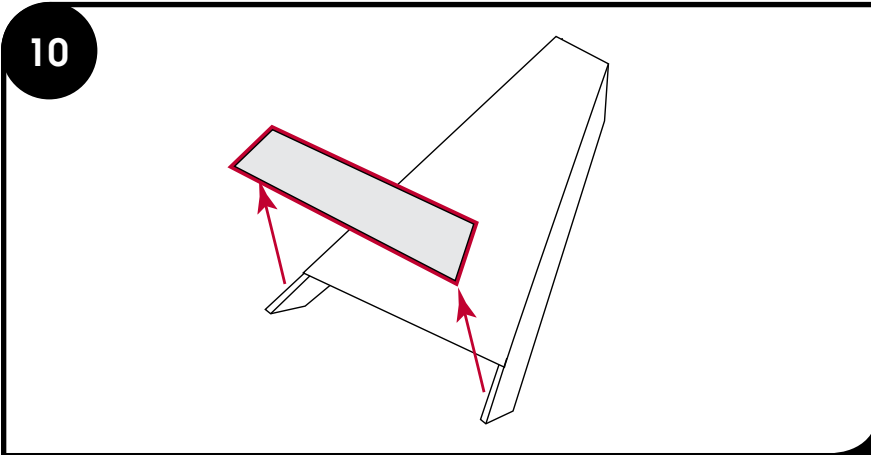
Once the fascia is in position, screw it into the top plate with 2 1/2" screws every 24". The screws should be 4" in from each end and 1 1/2" to 1 3/4" from the top edge.

9



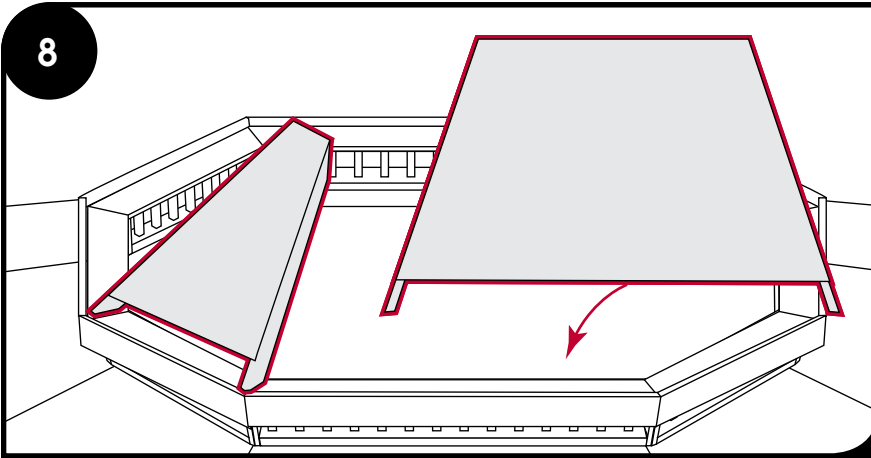
Be sure to attach each fascia board to the adjoining board at the corners with 2 1/2" screw.

10



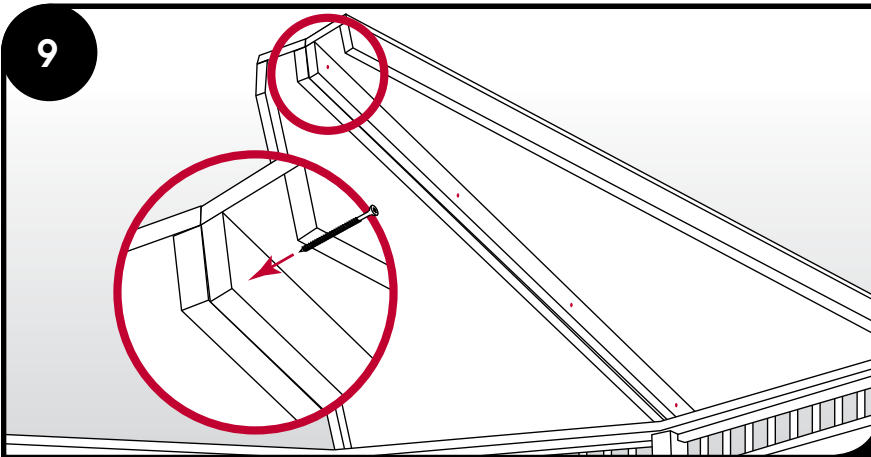
In order to be able to install the pagoda roof sections on the top plate, we recommend that you first carefully remove the bottom roofing board on each section and set them aside for reattachment later. This will give you access to the rafters in order to connect them to the top plate.

8



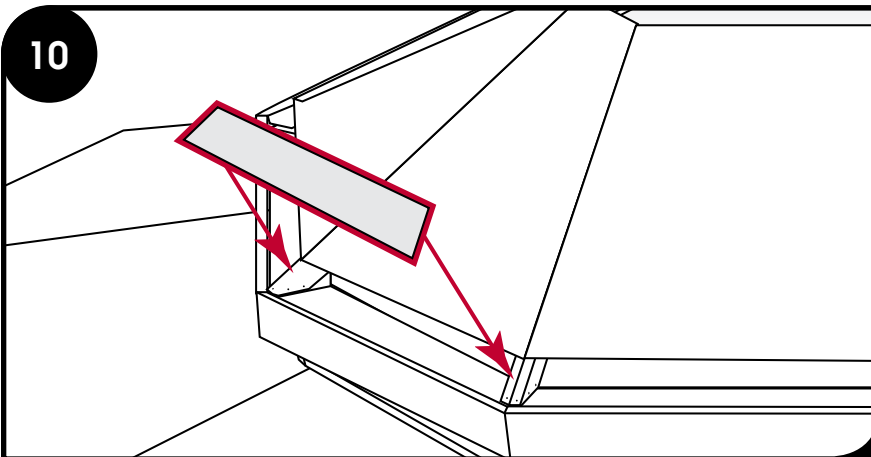
Set the upper pagoda roof sections into place. Raise the first panel into position followed by an adjacent panel. These panels are numbered and should be installed in their proper sequence.

9



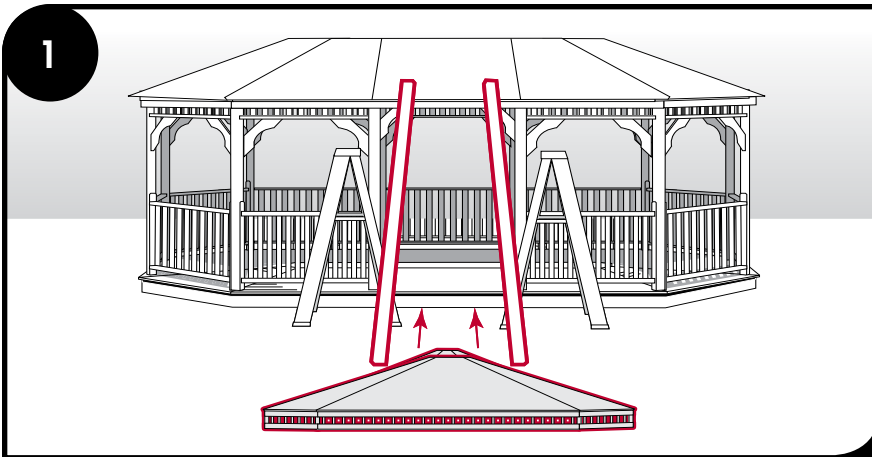
With the pagoda roof rafters aligned and flushed at the top with each other, secure them together with 2½" screws. Screw them together every 16" to 24" along the entire length of the rafter.

10



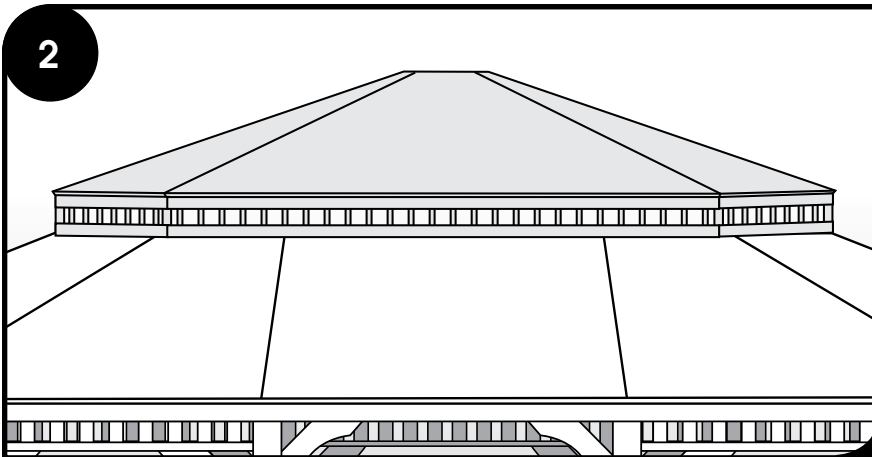
Once all of the pagoda roof rafters are attached to the top plate, you can now re-attach the roofing boards that you previously removed.

# Assembled Pagoda Roof

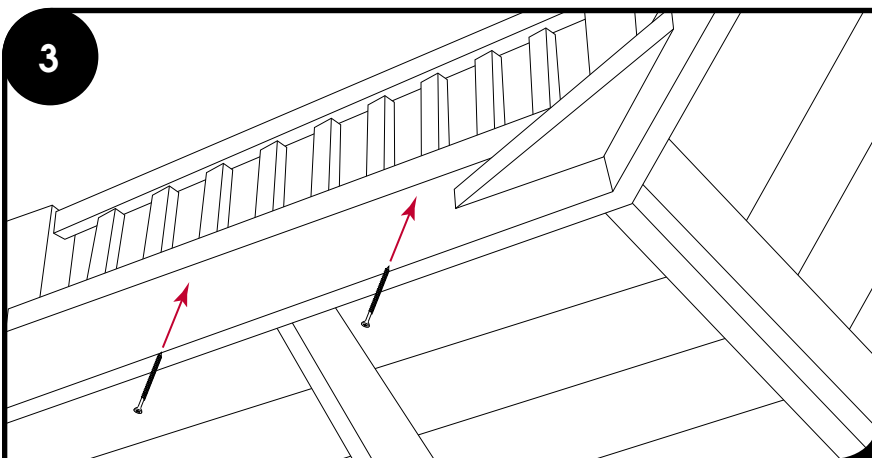


Insert roof collar before positioning pagoda roof. See page 21

For an assembled pagoda roof set up two boards as ramps, place a ladder on either side as needed. Place the pagoda top on these ramps and gently slide it up onto the roof



Insert it in the pagoda roof into the opening.



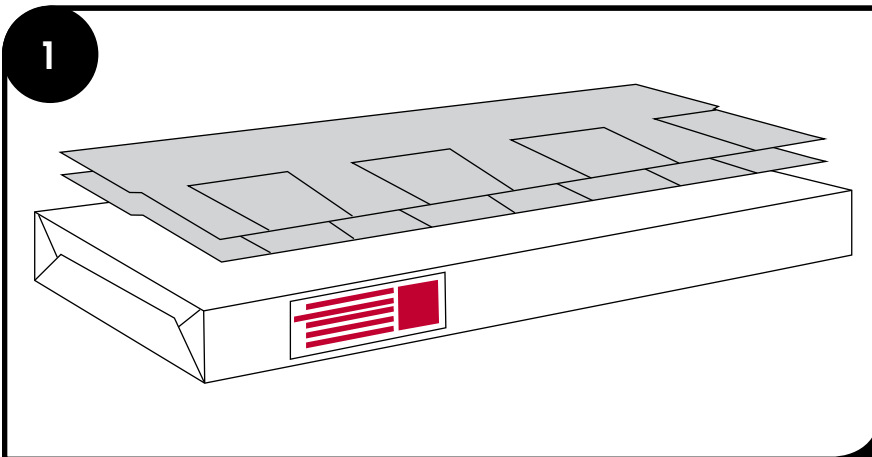
Secure the pagoda top to the roof sections by toe nailing every 16" with 2½" screws.

# Installing an Asphalt Roof

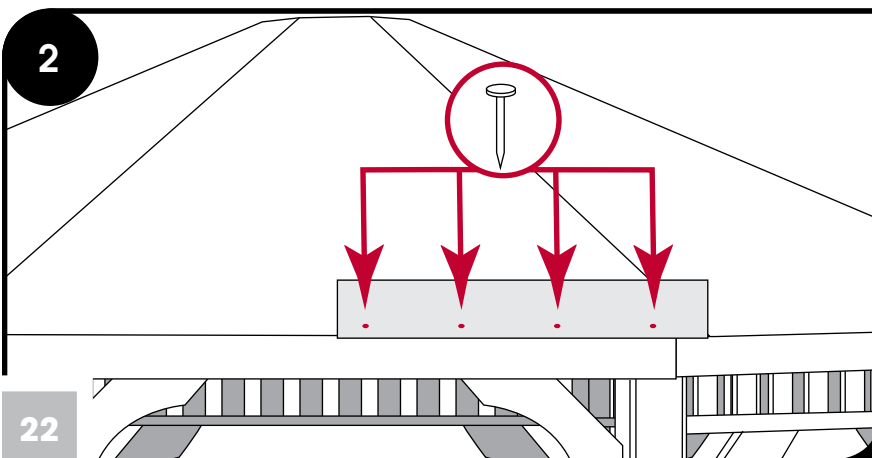
## Roof Fasteners:

**Please Note:** We do not include fasteners for asphalt shingles with our kits. This is because some states require different fasteners than others, and because some customers have different tools than others. (hammer, nail gun, pneumatic stapler, hammer tacker, etc.)

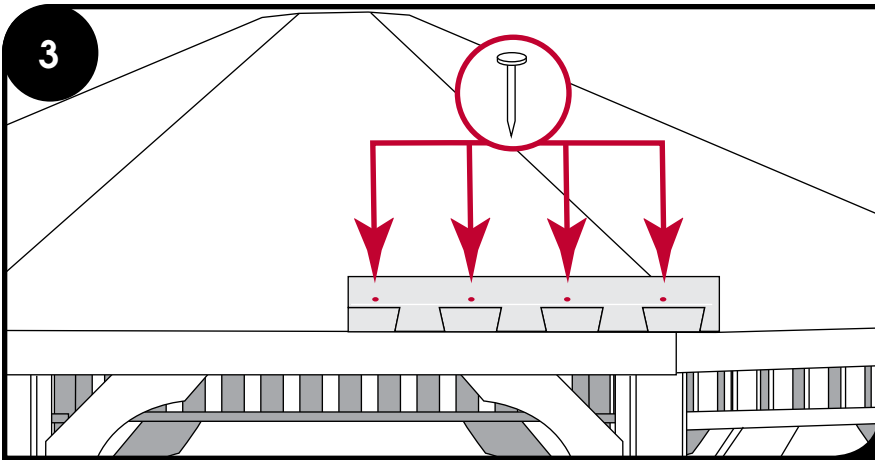
Please use shallow depth fasteners to fasten your shingles to your 1x6 roof decking. **For example: 5/8" long roofing nails or roofing staples with 5/8" leg and 1" wide crown.** These fasteners will be sufficient to hold the shingles to your roof in storm winds, and will not pierce the bottom surface of 1x6 roof decking.



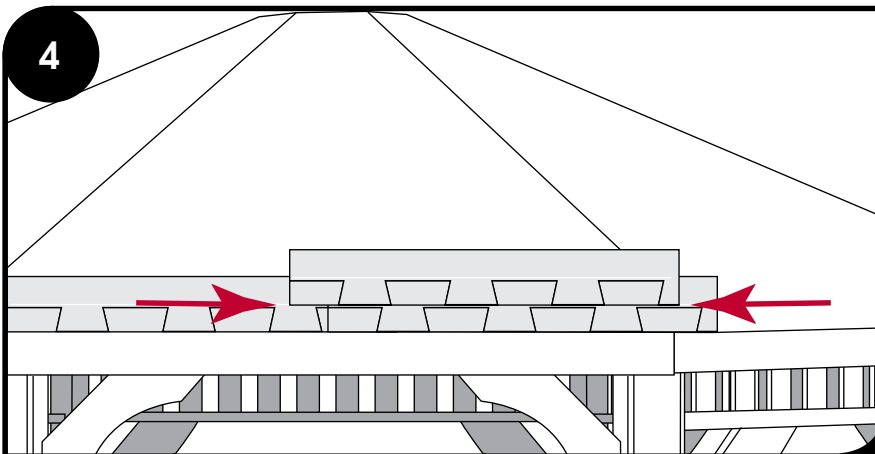
Review all instructions on shingle package



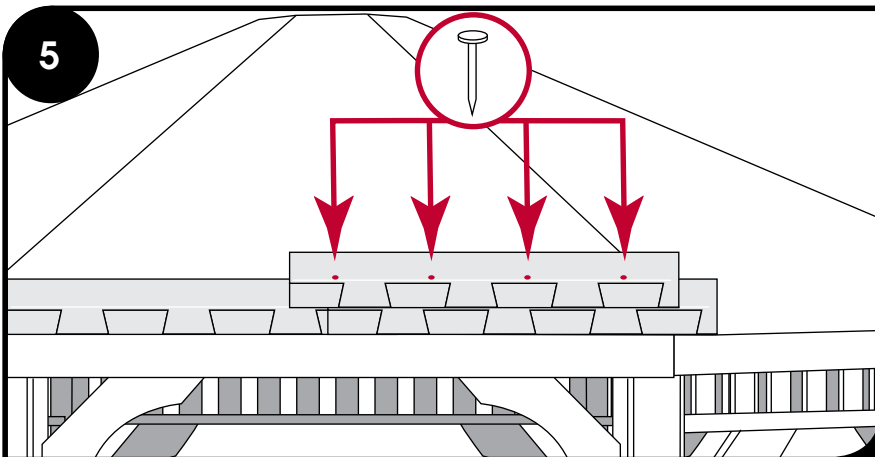
To install first row of shingles, turn shingle upside down with black tar line at bottom edge facing up and attach to roof using four 5/8" roofing nails. Place nails approximately 3" from the bottom.



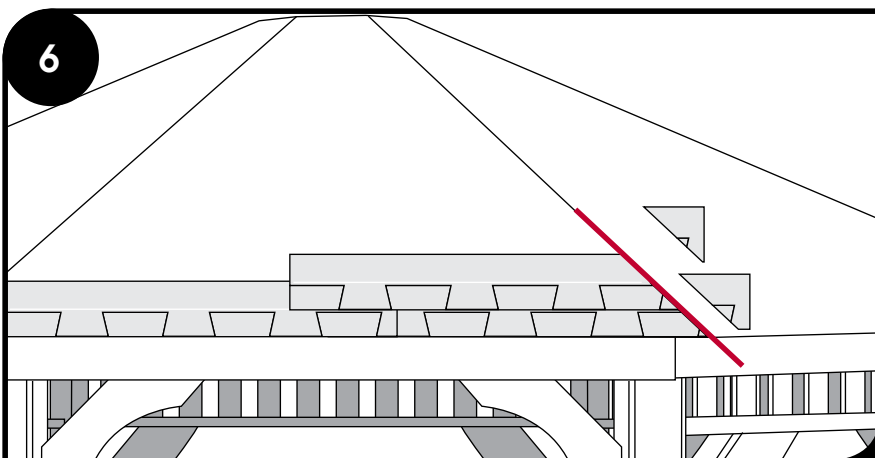
Use four  $\frac{5}{8}$ " roofing nails and attach the roof through the shingle at the center line. Do not fasten below the line or your fasteners will be exposed.



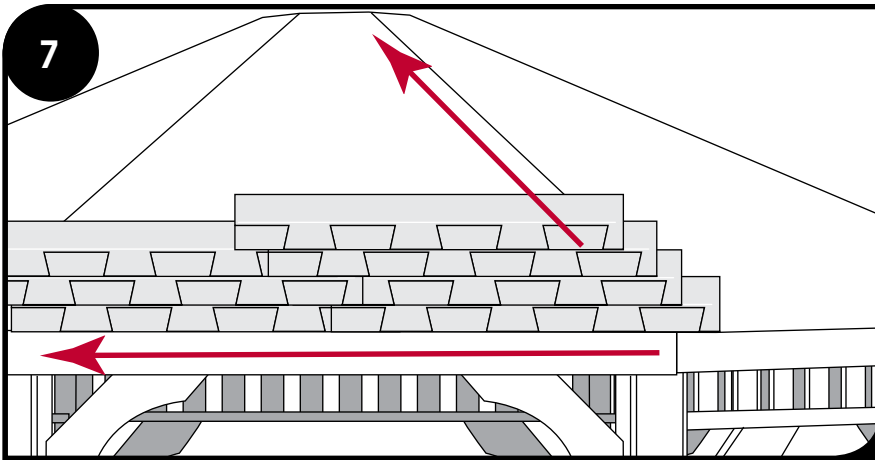
Start a second row of shingles, line up the bottom of shingle with the architectural line on the shingle below.



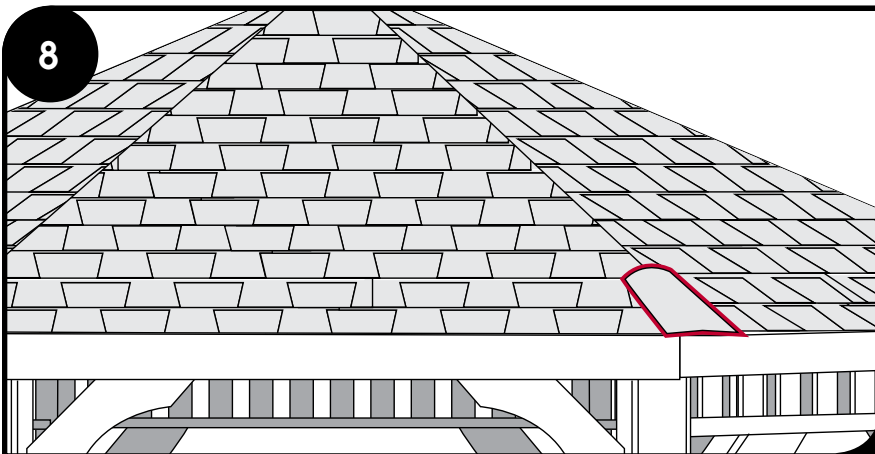
Attach second row of shingles to the roof using  $\frac{5}{8}$ " roof nails proved or a power stapler. Do not use long nails or staples that protrude though the 1x6 roof decking



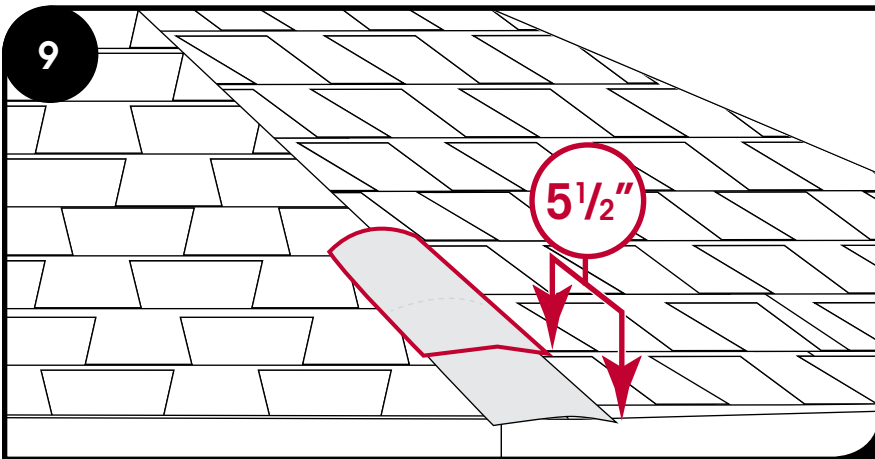
Trim corner shingles using a shingle scissor or utility knife. When using a knife cut on the bottom side.



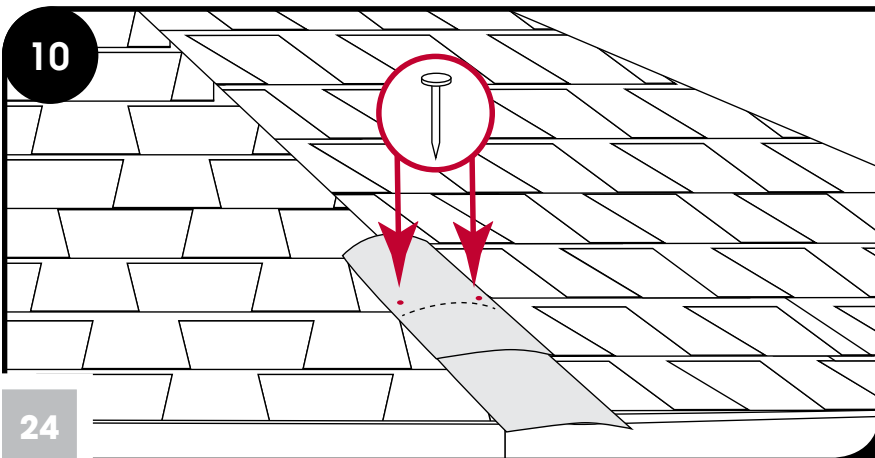
Work across then up.  
Continue to the top.



To cap the ridge, start the first capper centered on the ridge down past the corner.



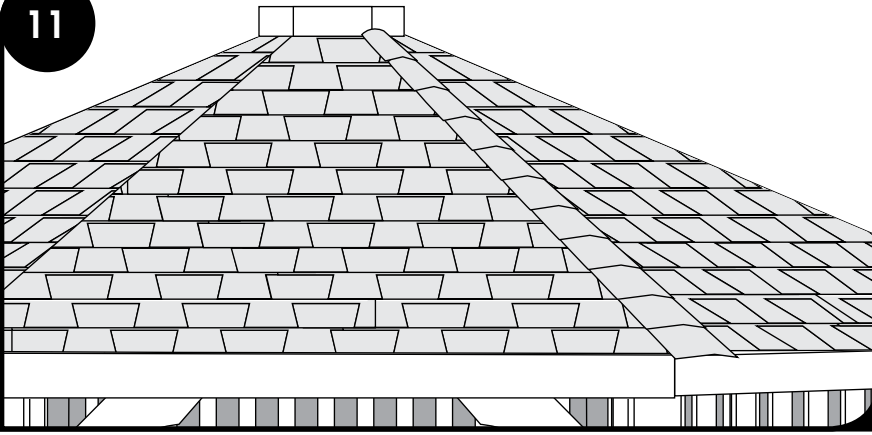
Place second capper into place.  
Leave approximately 5 1/2" exposed to the weather.



Fasten using four 5/8" roof nails per capper.  
Fasten nail through the black tar strip.

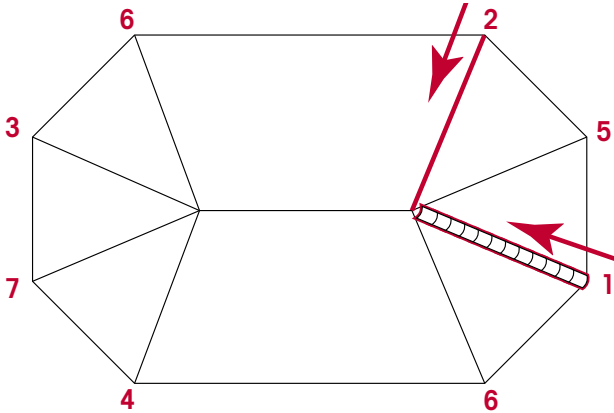


11



Continue up the ridge using the same previous steps. Install cappers in a nice straight row for a neat appearance from ground view.

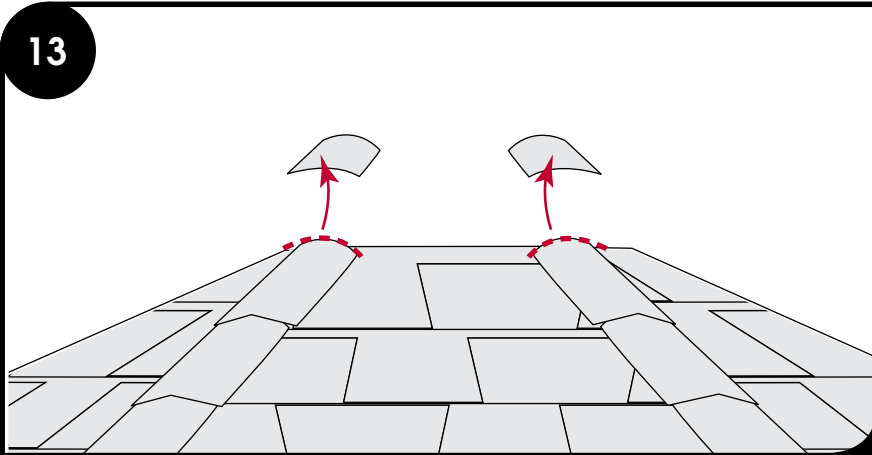
12



### NOTE

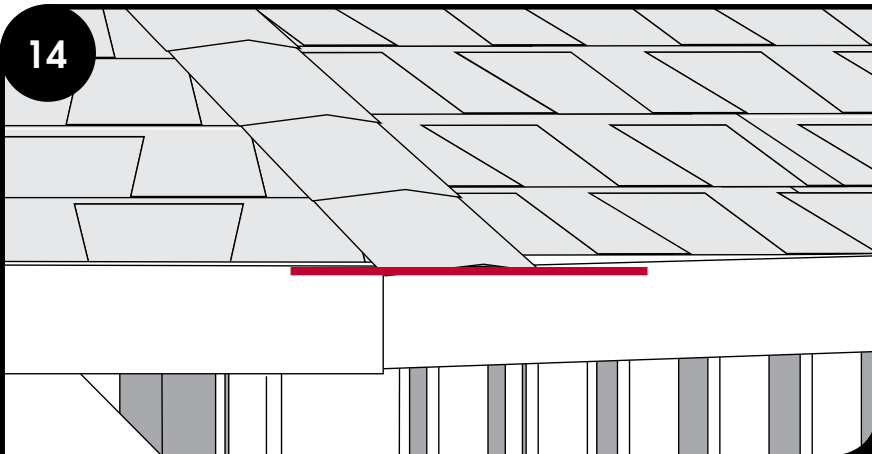
When installing the caps on a gazebo, it is important to install every other ridge at the same time. This will give the finished cap shingles a uniform shingled look where they meet at the peak.

13



The last shingle will need cut in half and will bring the corners together.

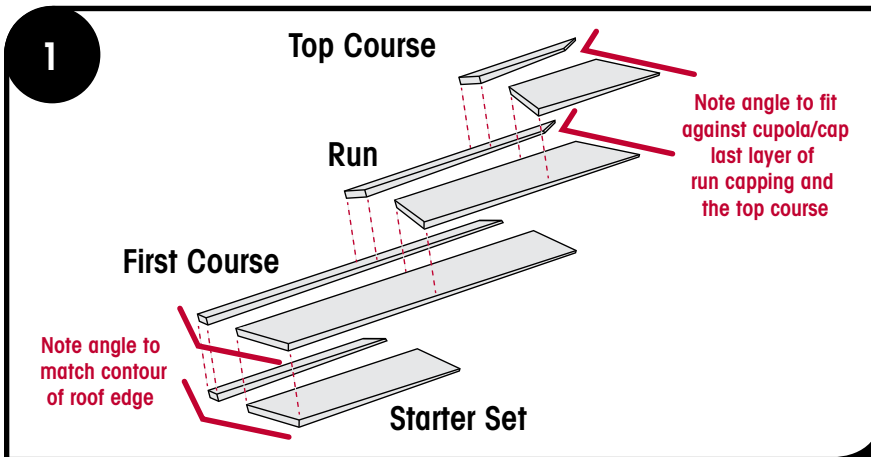
14



Trim the bottom edges using a shingle scissors or utility knife.

# Installing Cedar Capping

Cedar shakes come pre-attached to roof panels. All that is needed to finish the cedar shake roof is the cedar capping.

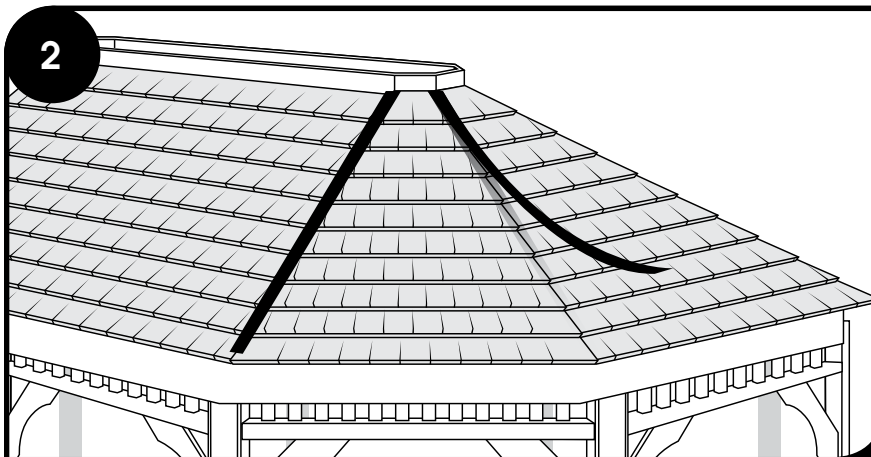


## Capping Parts

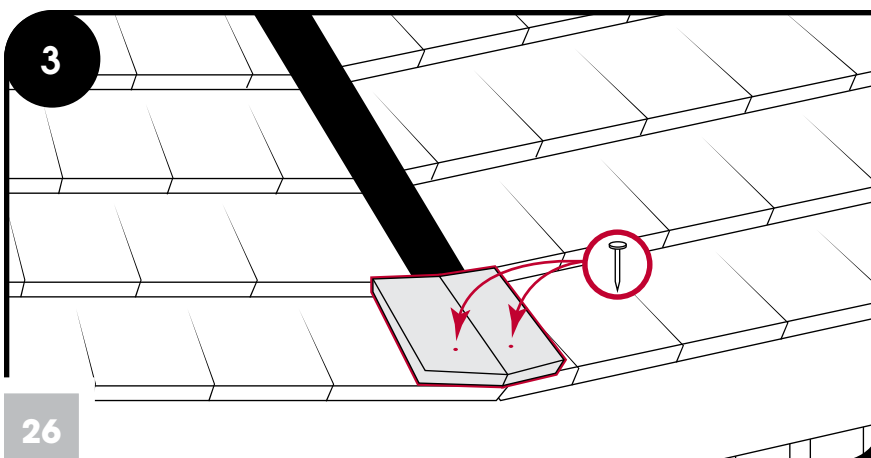
There are 4 types/lengths of shake shingles. Identify each and arrange them in sets

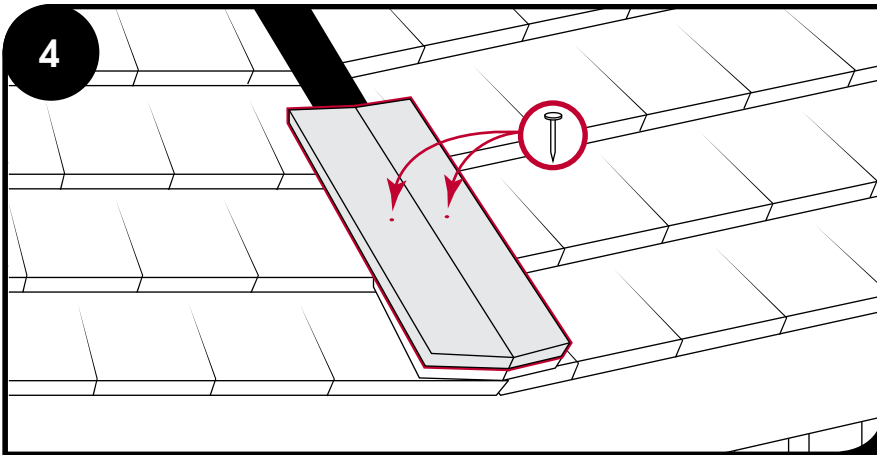
## Note

The bottom of each shingle is thicker than the top. The right side of each shingle is beveled as shown here

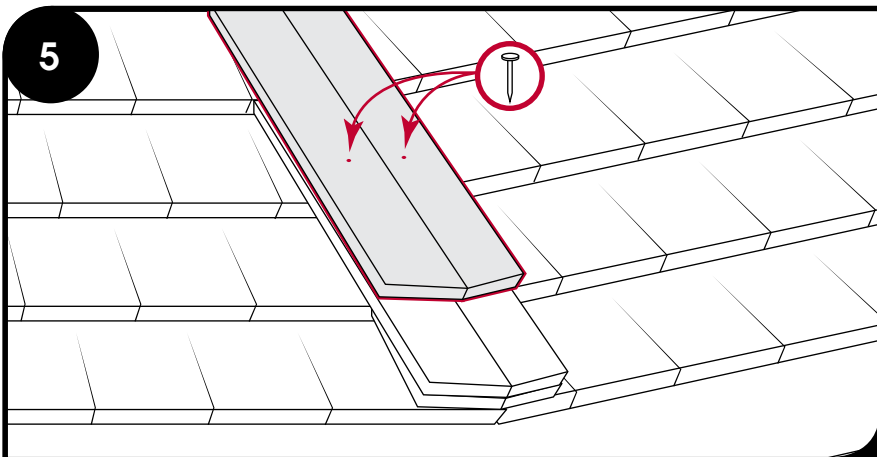


Cut a strip of roofing paper to length slightly less than the run of the roof. Staple the paper to the roof at the top to keep it in place. Make sure the paper will not extend below the first course of capping.

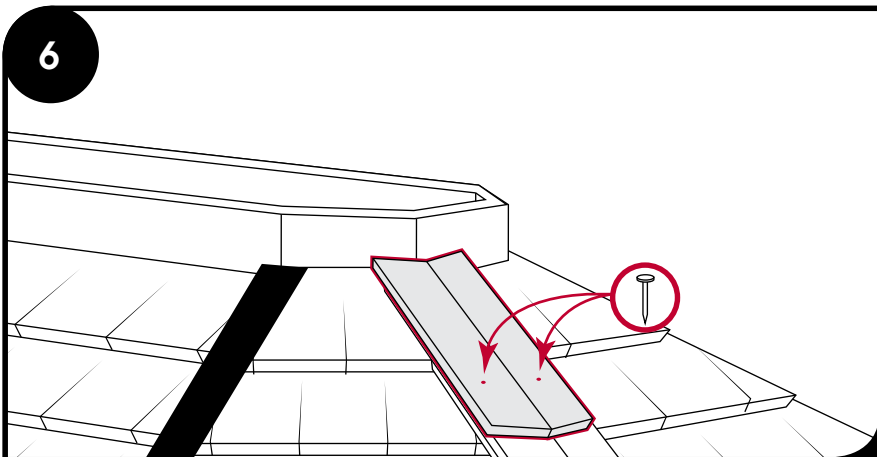




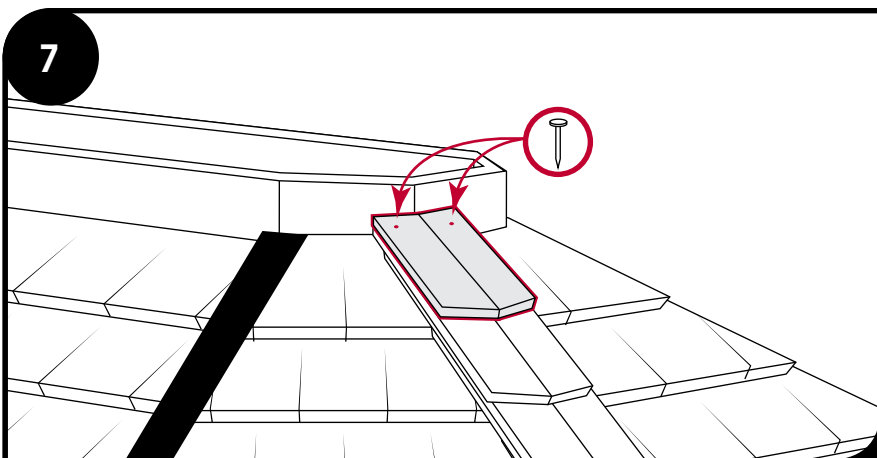
Place the first course of capping over the paper so that the bottom of the first course mounts flush and directly on top of the starter set.



Align each new course of shakes over top of the previous course making sure it is stepped and being careful to cover the nails of the previous course.



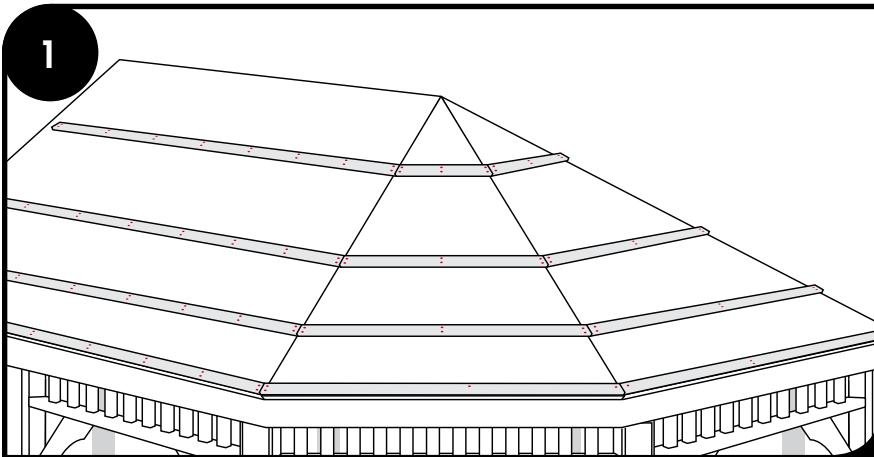
For the second to last course use the shingles with "V" cuts at the top



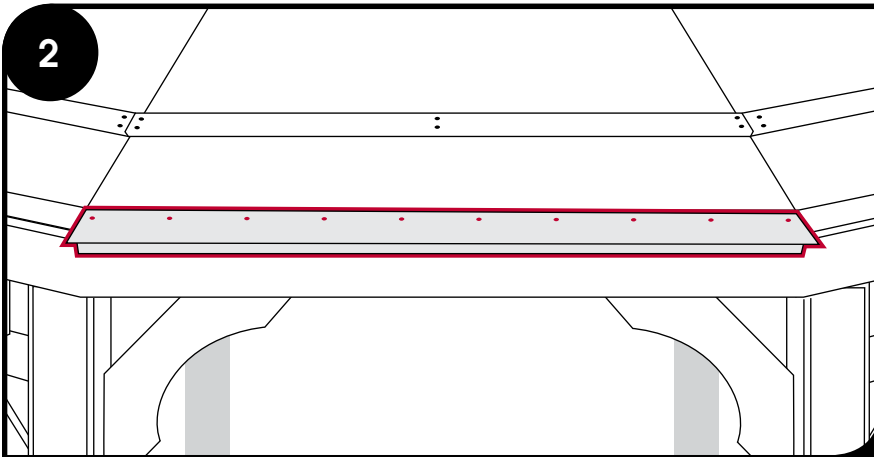
If a cupola is ordered, the top course of capping may need to be trimmed to fit against the center ring.

Repeat this process for each ridge.

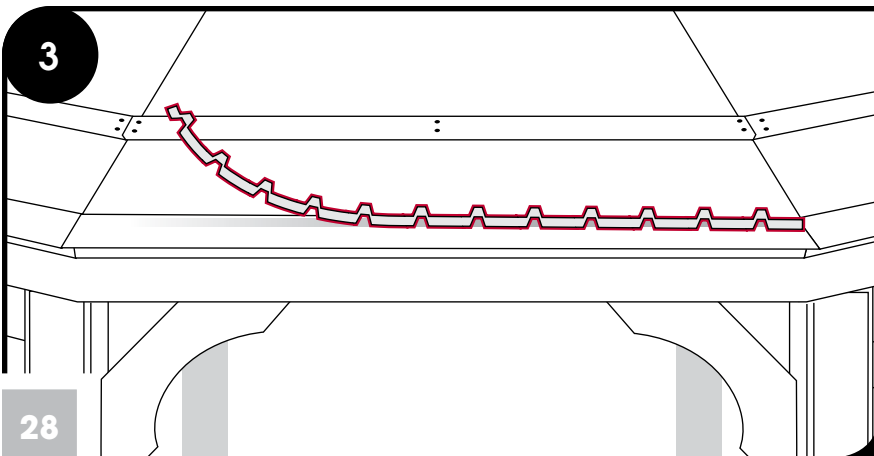
# Installing a Metal Roof



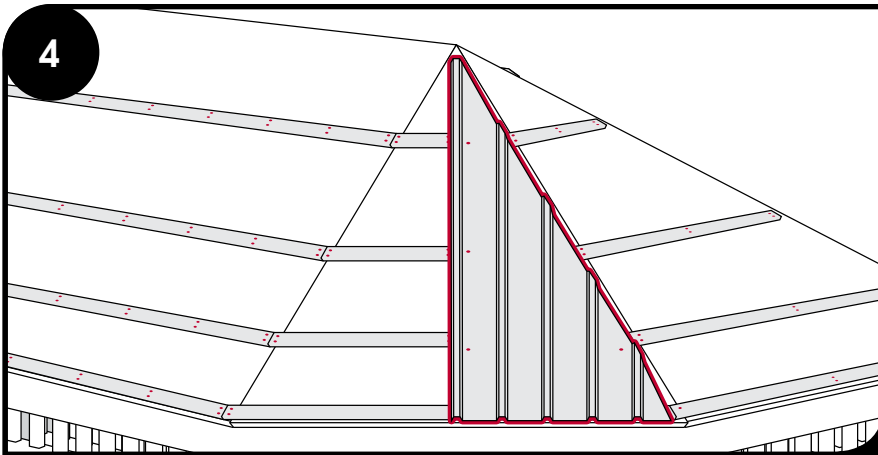
Fasten horizontal roof lath pieces with two 2" roofing nails at each rafter. Place the first piece of lath directly on top of the lowest decking board. Space each lath board roughly 20-24" apart with the longest piece placed at the bottom and the shortest piece at the top. (Lath boards may need to be cut to length.)



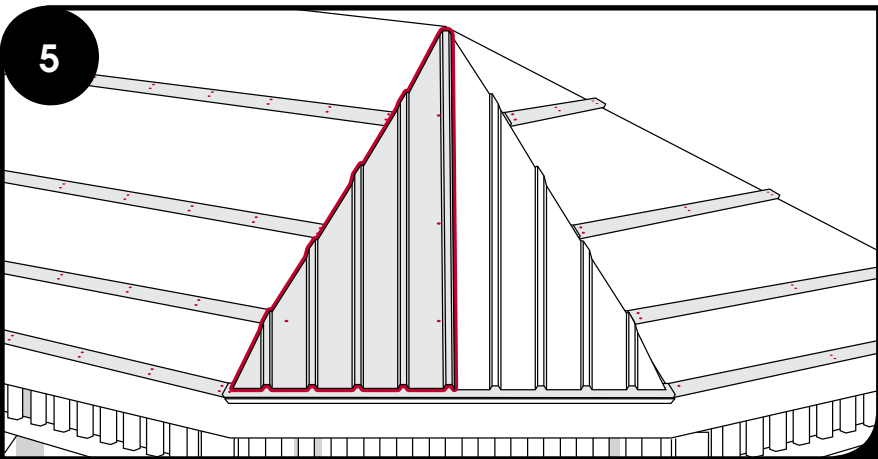
Install the drip edge over the bottom lath piece. Cut each piece to length. Fasten with 1" screws, staples or nails every 16".



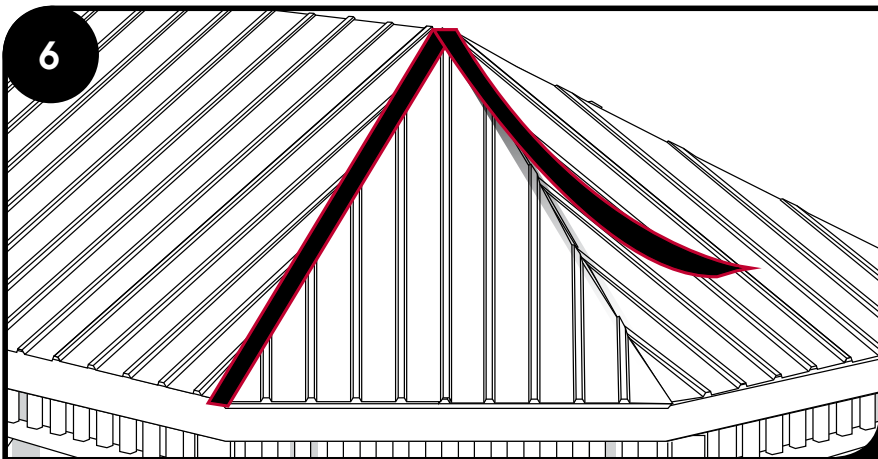
Install the ribbing roughly 1½" to 2" from the bottom of the drip edge. Do not stretch the ribbing because the grooves of the roof must line up with the ribs.



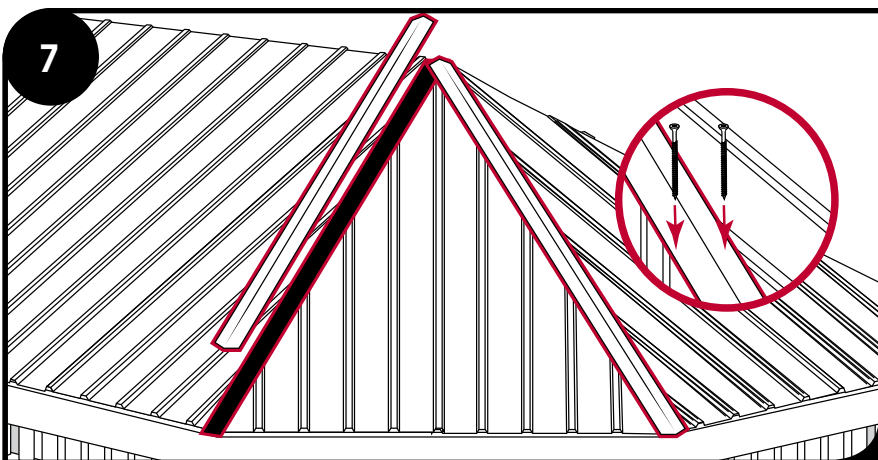
Install the tin, starting at the center and moving to each end. Ensure the first piece is installed squarely. Keep the bottom of the tin flush with the drip edge. Fasten with 1" screws. The first piece will have 2 screws at every lath.



Repeat step 4 for all sides.

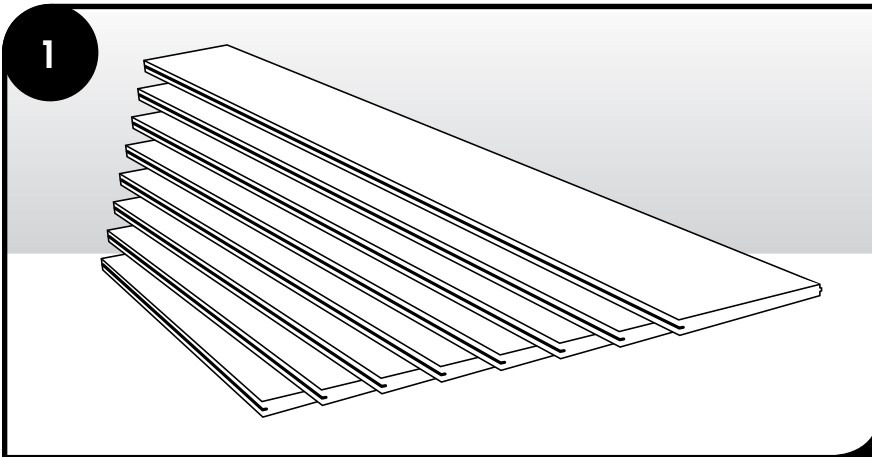


Peel backing off of the foam and apply foam to the tin roof ridges. Make sure not to go wider than the hip capping.

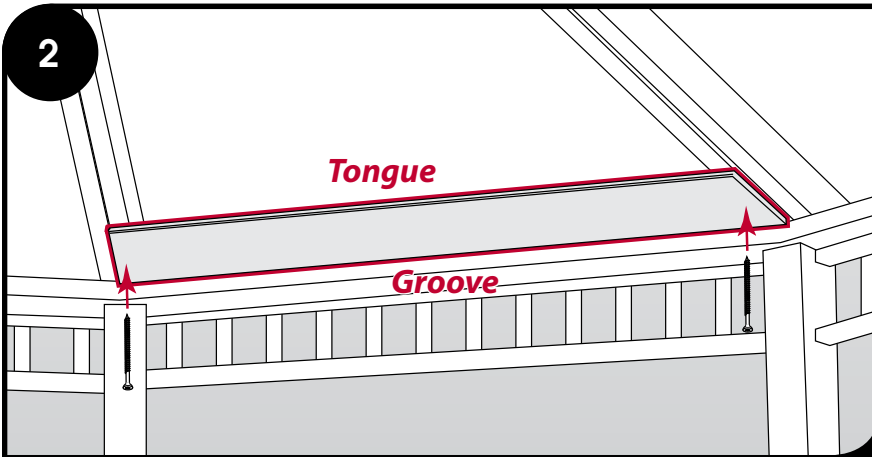


Use 1½" screws to secure the hip capping on all ridges.

# Tongue and Groove Wood Ceiling



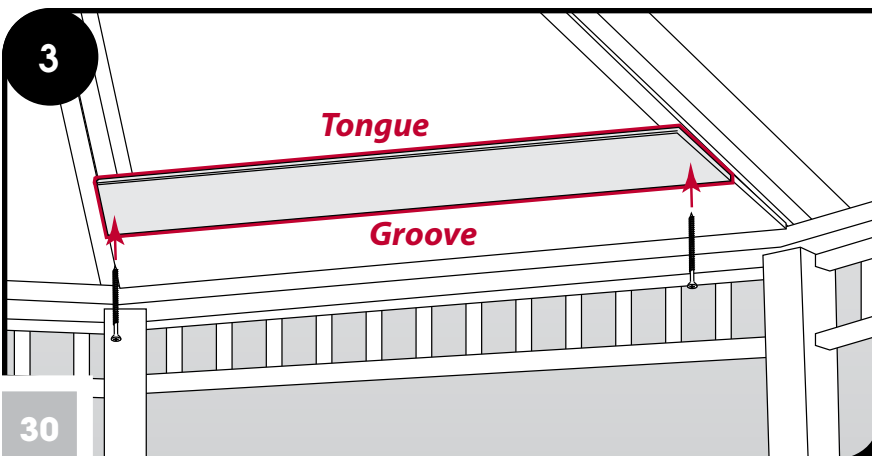
The wood ceiling comes in several pieces, which are wrapped together in order from the largest piece to the smallest pieces.



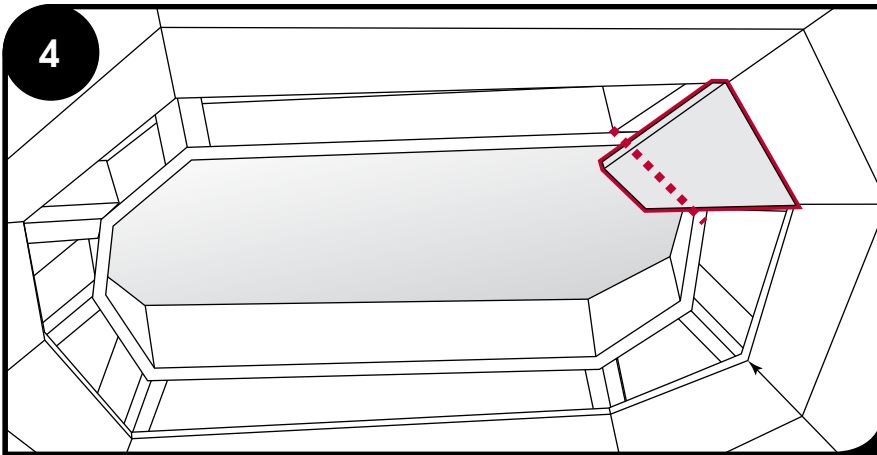
Start on the bottom with the largest piece and work your way to the top. Connect the boards to the ceiling by driving a 1½" screw into each rafter.

## NOTE

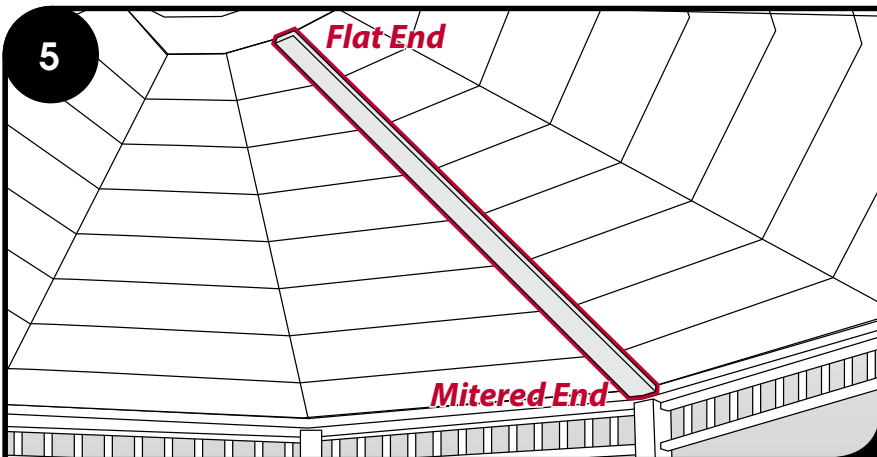
Make sure that the tongue sections of the boards are facing up, so they will connect together correctly.



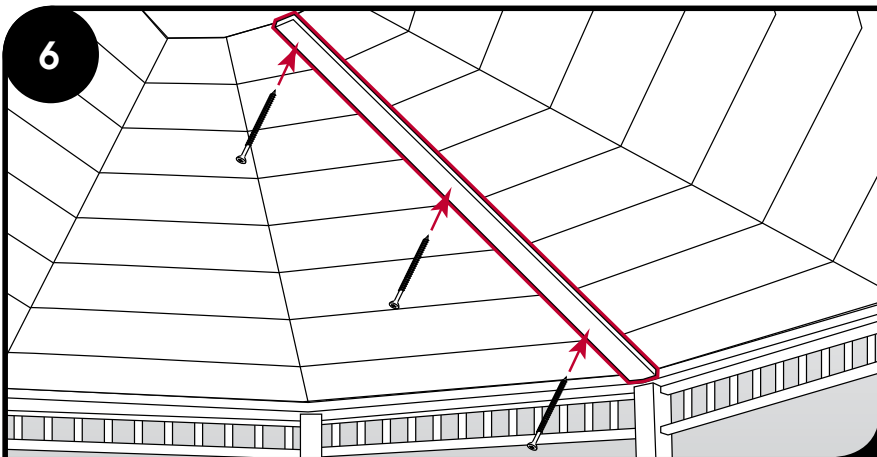
Set the second piece so it fits into the groove of the first section. And screw it in place. Continue this process until all but the top piece is attached



When all sections of the ceiling are complete, except for the final piece, hold the final piece in place and mark where it overhangs the center hole. Cut the excess off so it matches up with the center hole. Then screw it in place.

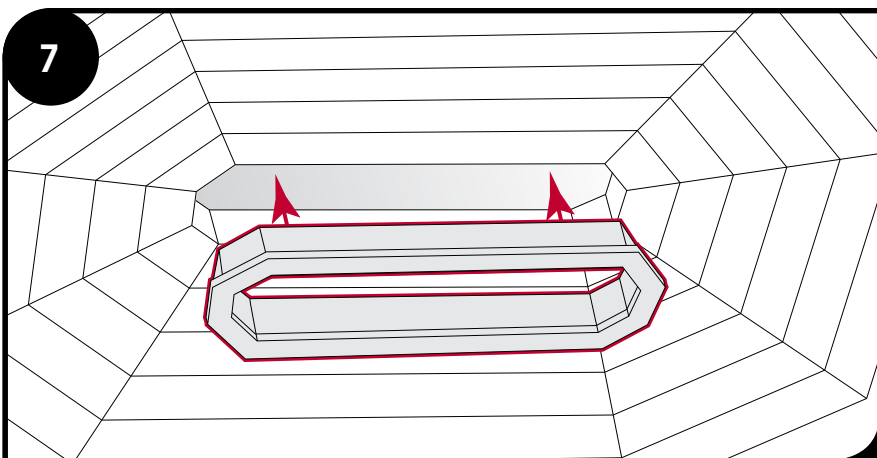


Install the 1x3 trim pieces. The trim will have one end that is flat and the other end will be mitered. Install the trim with the flat end toward the center of the ceiling.



Using three 2½" screws, attach the trim with one in the bottom, one in the top and one in the center.

Follow these same steps with all eight pieces.



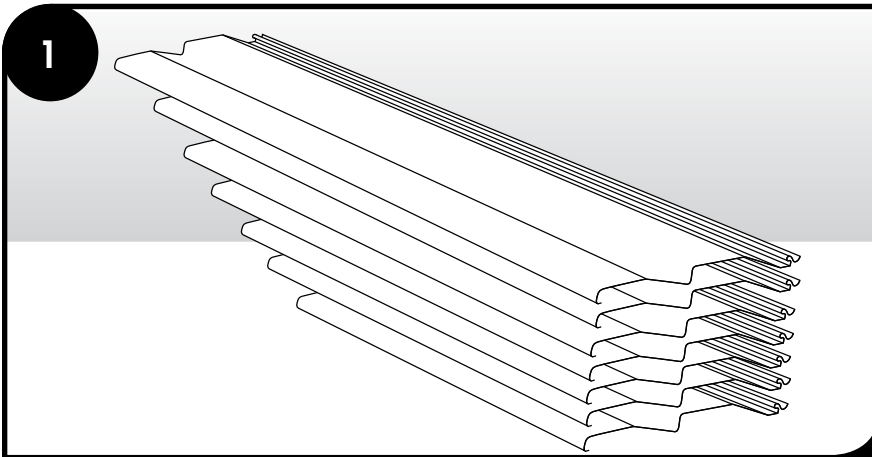
Install the finished pagoda insert. This piece will slide into the opening in the top of the roof (inside the existing cupola ring).

Once it is in place, secure it on four sides using 2½" screws (4 screws total)

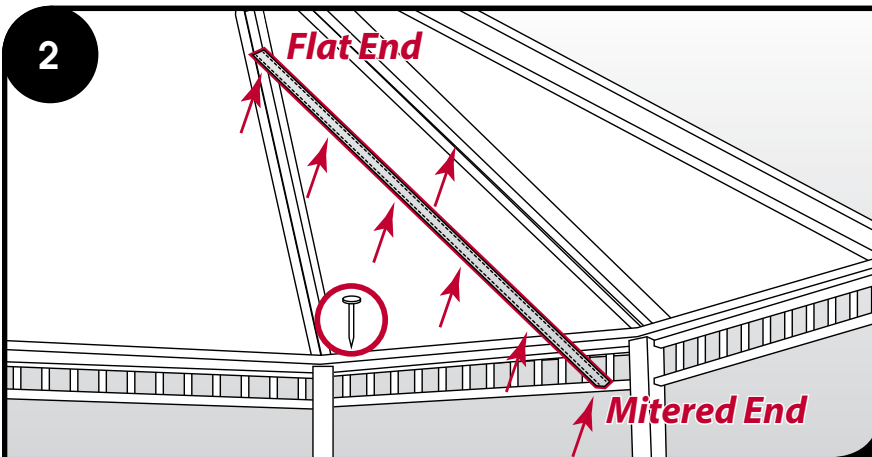
**Note**

You will only need insert if you have a pagoda roof.

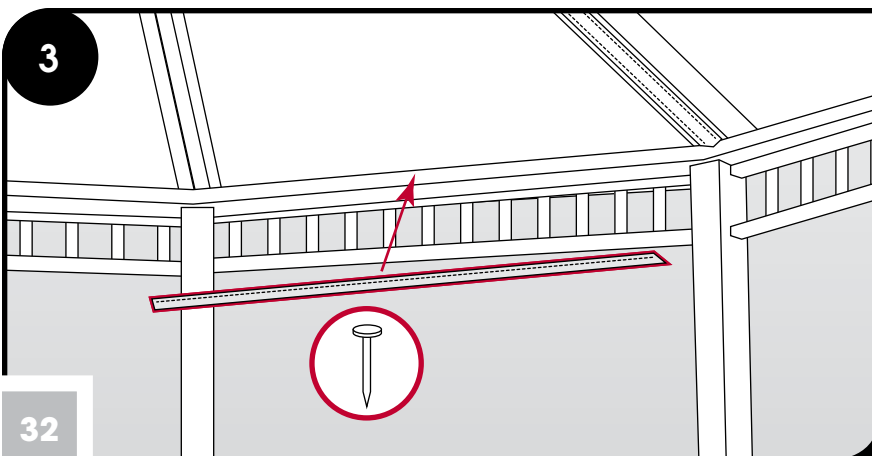
# Vinyl Ceiling



Sort out the vinyl ceiling panels and lay them out in order of width.

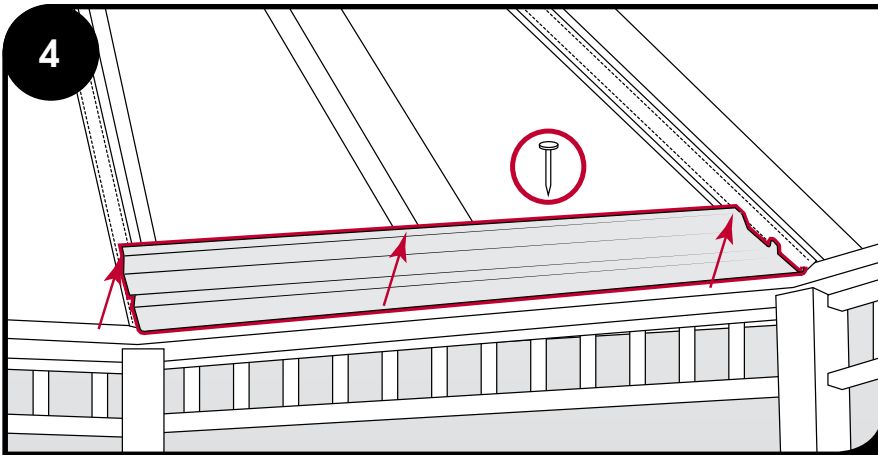


Install H channels with mitered end at bottom, straight end at top. Nail along each side of the H channel using  $\frac{3}{4}$ " nails placed every 24". Trim panels with siding snips as needed. (If needed Trim the flat end not the mitered end).

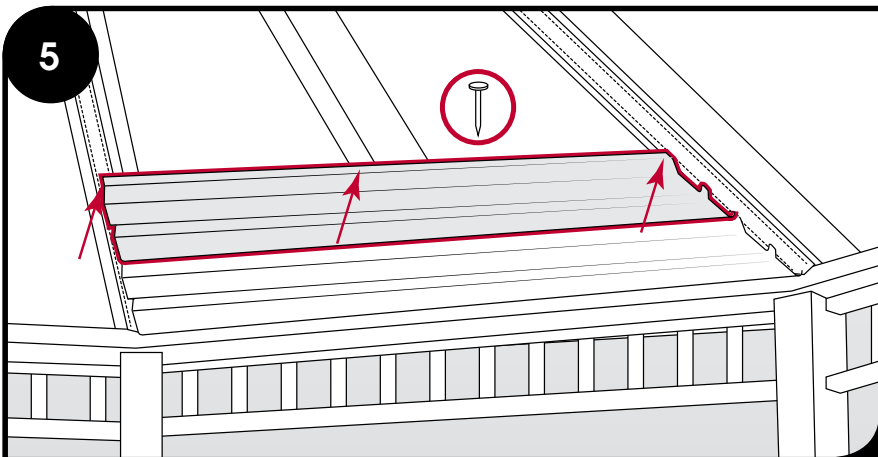


Install the J channel insert between the H channels, place a  $\frac{3}{4}$ " nail in the center to hold in place.

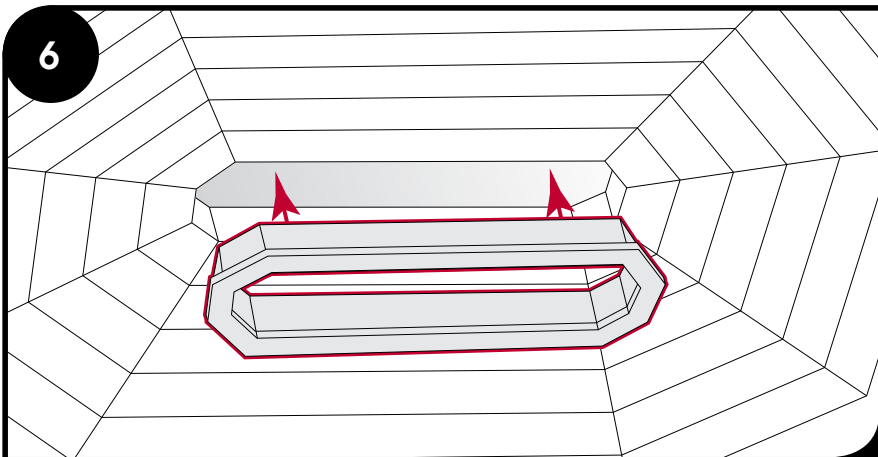




Install the first panel and use three  $\frac{3}{4}$ " nails to hold it in place.



Slide each following panel ceiling panel in place against the last. The panels will gradually get smaller as you make your way to the top.

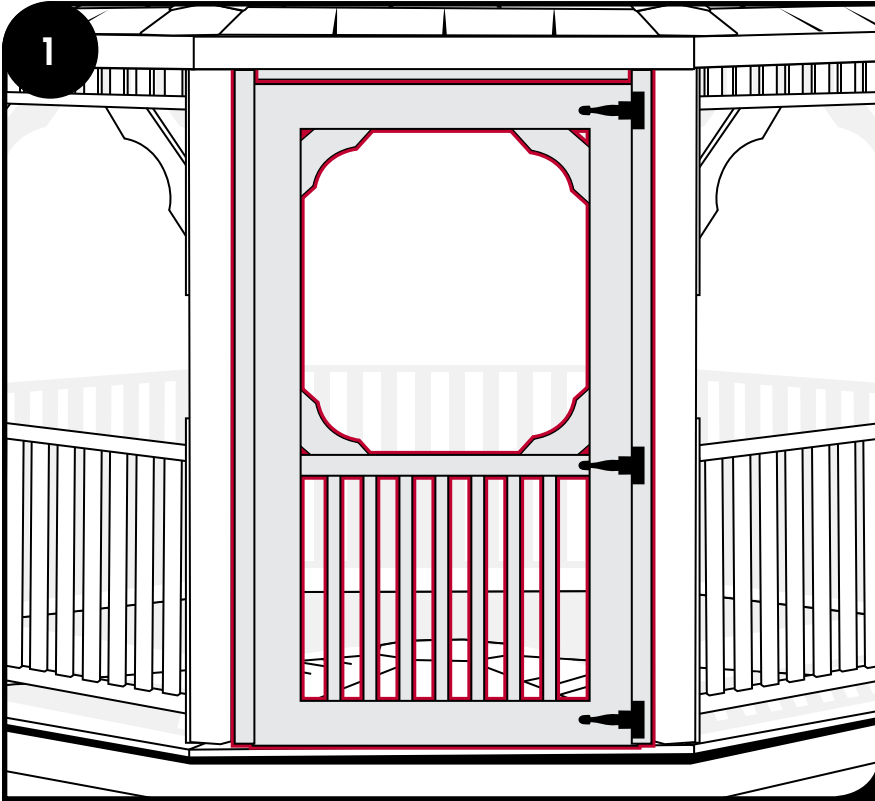


After all eight sides of the ceiling are complete. Put the cupola ring into the center and secure it in place using two  $2\frac{1}{2}$ " screws, place the screws on the inside of the ring on opposite sides.

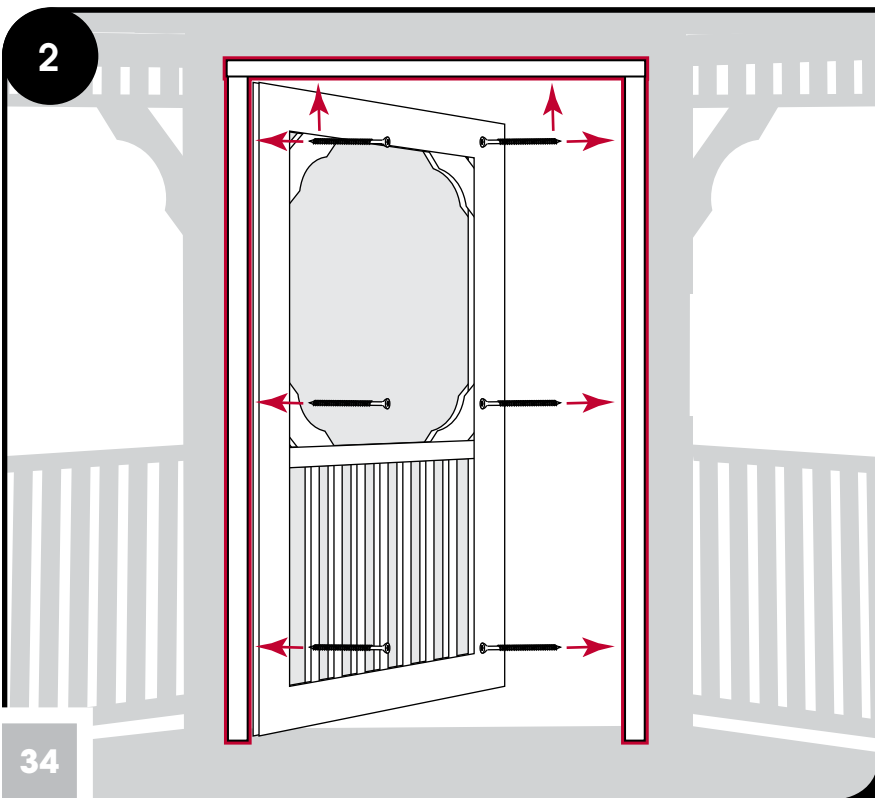
### Note

You will only need insert if you have a pagoda roof.

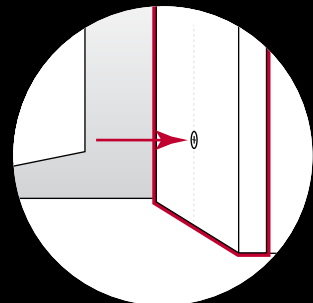
# Door Installation



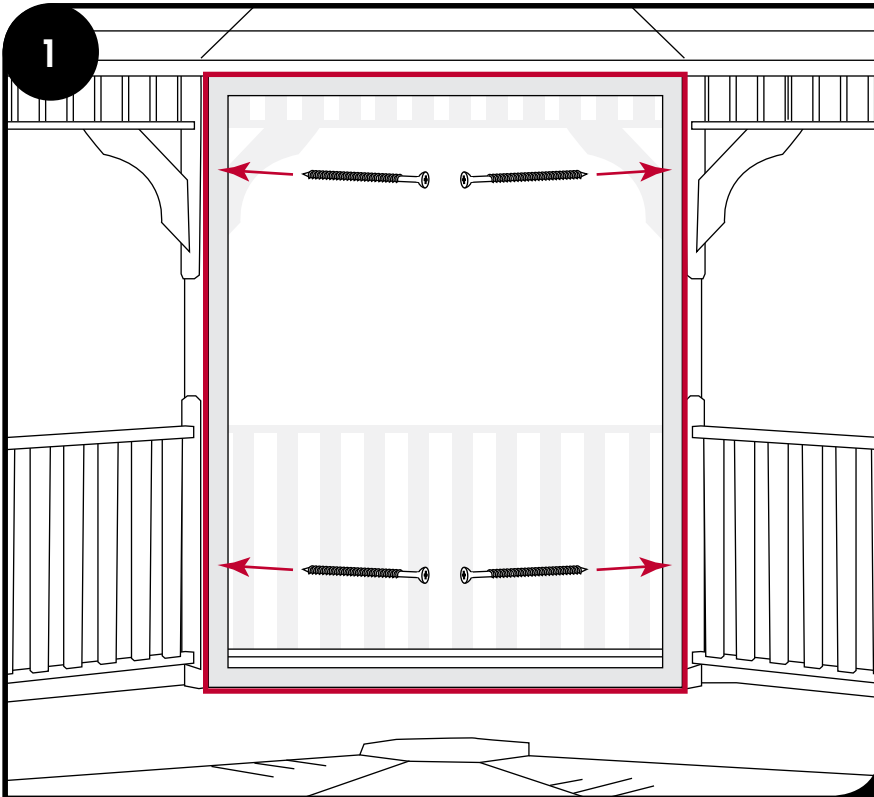
Remove bottom packaging strip and set pre-assembled door inside gazebo doorway.



From the inside of the door frame secure the door to the gazebo posts using 8 - 2½" screws. Open the door and run the screws straight into the centerline of the door frame and into the post.

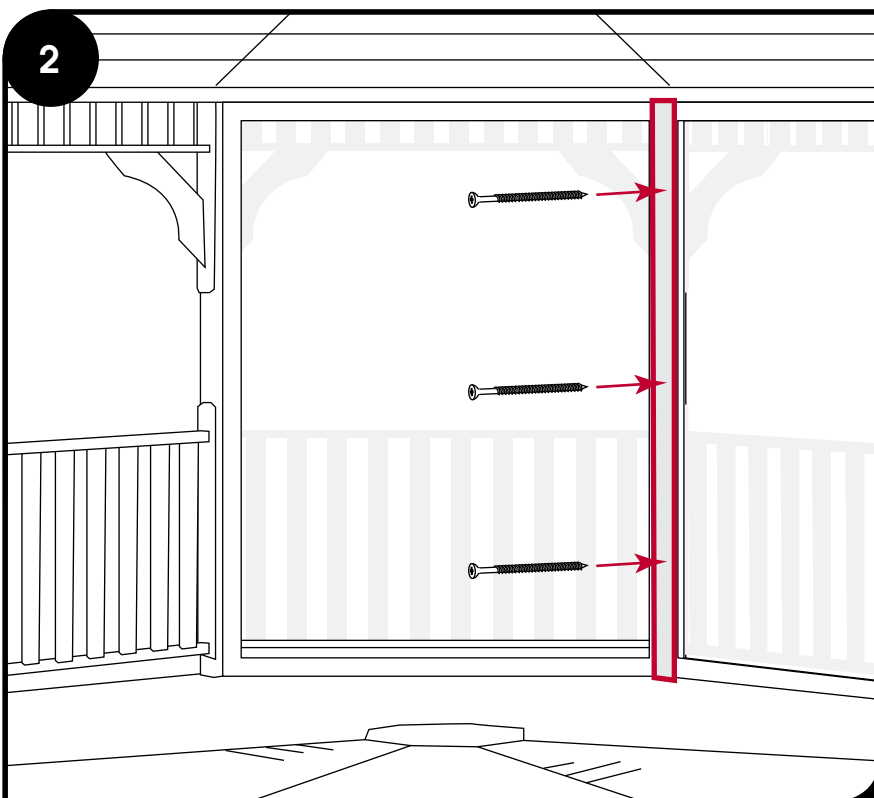


# Screen or Four Track Windows



Install the screen panel along each railing section.

Fasten each screen panel onto the post with four 1½" screws, two on each side.



Fasten finishing strip on each post with three 2½" screws (screwed directly into the posts overlapping the screen frames).

Repeat this step with each of the supplied finishing strips, one for each post.

